





Housing: in die-cast aluminium with cooling fins.

Diffuser: tempered glass, 4 mm thick, resistant to thermal shock and impacts.

Coating: the standard powder coating consists of a first metal surface pre-treatment stage and of single layer of UV-stabilised, corrosion and salt resistant polyester powder coating.



On request: coating compliant with UNI EN ISO 9227 Corrosion tests in artificial atmospheres for aggressive environments.

Standard Supply: complete with galvanised and coated bracket, Cripto small with electrical cable (L = 1m). Safety diode to protect against voltage peaks compliant with EN 61547. Cripto medium/big with double insulation switch.

On request: 1-10V dimmer, dimmable from 10% to 100%.



electronic safety device to protect the LED module and the related ballast compliant with EN 61547.

It works in two modes:

- differential mode: surge between power cables and between the phase and neutral.
- common mode: surge between power, L/N and ground cables or between the fixture's body if it is of class II and installed on a metal pole.

On request: protection up to 10KV (Cripto small,medium,big).

Low Optical Flicker
Less Than x%
Up to yHz



The UL Verified Mark is identified with the "Low Flicker Risk" logo that includes a maximum flicker value of 8% at frequencies of ≥ 400 Hz.



Low Flicker: product with a very low flicker; uniform light for greater eye protection.

On request **Cripto big** supplied with a separate gear box for additional module of remote control system.

Complete with protractor scale. Aiming visor for precise aiming of the floodlight.

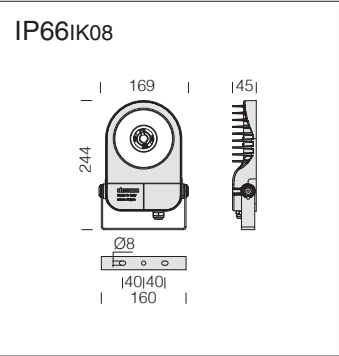
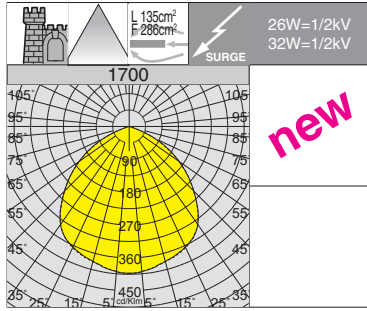


Micro

Small

Medium

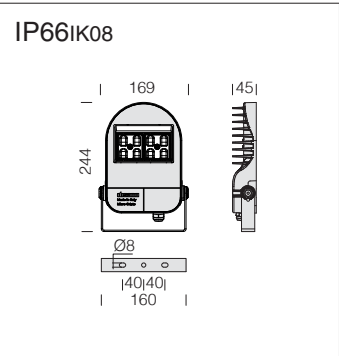
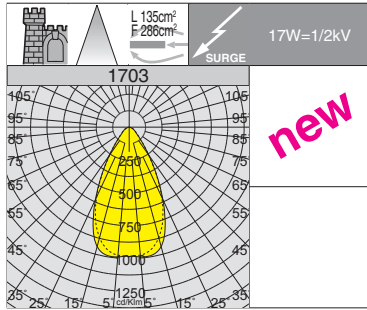
Big



Reflector: in pre-anodised aluminium.
LED: Power factor: $\geq 0,92$.
 Luminous flux maintenance 80%: 50.000h (L80B20).
Equipment: complete with electrical cable for mains connection L=0,6m.

| 1700 Cripto micro - COB | | | | | |
|-------------------------|----------|----------|-----------|-------|--------------------------|
| | | CLD CELL | | W tot | LUMEN OUTPUT (tq= 25 °C) |
| wattage (700mA) | colour | weight | code | | K - ølm 700mA - CRI |
| LED COB | graphite | 1.50 | 412960-00 | 26 | 4000K - 3023lm - CRI 90 |
| LED COB | white | 1.50 | 412963-00 | | |
| LED COB | graphite | 1.50 | 412960-39 | 26 | 3000K - 2811lm - CRI 90 |
| LED COB | white | 1.50 | 412963-39 | | |
| wattage (900mA) | | | | | K - ølm 900mA - CRI |
| LED COB | graphite | 1.50 | 412962-00 | 32 | 4000K - 3755lm - CRI 90 |
| LED COB | white | 1.50 | 412964-00 | | |
| LED COB | graphite | 1.50 | 412962-39 | 32 | 3000K - 3492lm - CRI 90 |
| LED COB | white | 1.50 | 412964-39 | | |

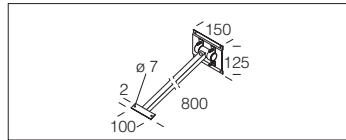
Available in DIMM-DALI version with subcode -0041.



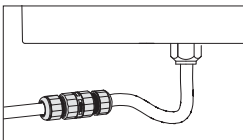
Optics: in high efficiency PMMA.
LED: Power factor: $\geq 0,92$.
 Luminous flux maintenance 80%: 90.000h (L80B20).
Equipment: complete with electrical cable for mains connection L=0,6m.

| 1703 Cripto micro - symmetric narrow beam | | | | | |
|---|----------|----------|-----------|-------|--------------------------|
| | | CLD CELL | | W tot | LUMEN OUTPUT (tq= 25 °C) |
| wattage (350mA) | colour | weight | code | | K - ølm 350mA - CRI |
| LED | graphite | 1.50 | 412980-00 | 17 | 4000K - 2350lm - CRI 90 |
| LED | white | 1.50 | 412981-00 | | |

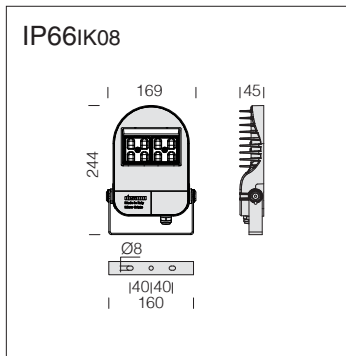
Available in DIMM-DALI version with subcode -0041.



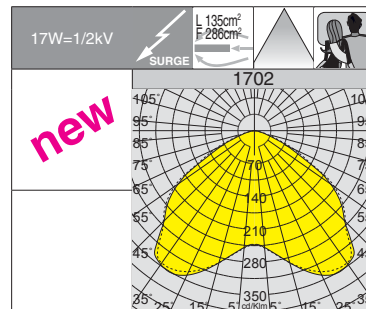
acc. 41 arm
 graphite 995506-00
 Adjustable-angle arm galvanized steel.



acc. 339 Connector (3-pole)
 993854-00
 To be used for mains connection of Cripto micro

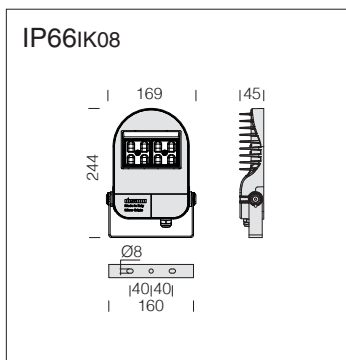


Optics: in high efficiency PMMA.
LED: Power factor: $\geq 0,92$.
 Luminous flux maintenance 80%:
 90.000h (L80B20).
Equipment: complete with electrical cable for mains connection L=0,6m.

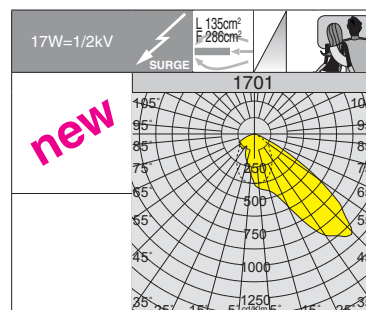


| 1702 Cripto micro - symmetric wide beam | | | | | |
|---|----------|----------|-----------|-------|---|
| | | CLD CELL | | W tot | LUMEN OUTPUT (tq= 25 °C) K - ølm 350mA - CRI |
| wattage (350mA) | colour | weight | code | | |
| LED | graphite | 1.50 | 412975-00 | 17 | 4000K - 2350lm - CRI 90 |
| LED | white | 1.50 | 412976-00 | | |

Available in DIMM-DALI version with subcode **-0041**.

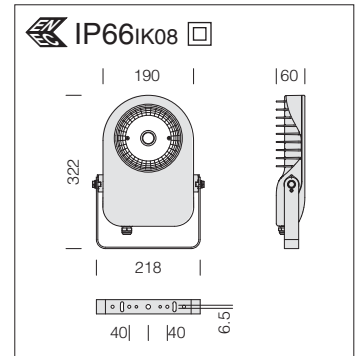
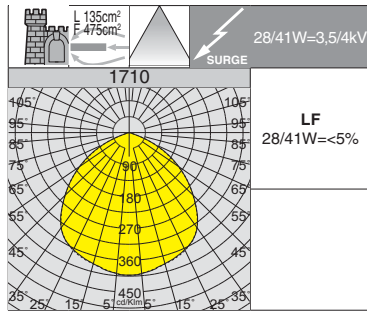


Optics: in high efficiency PMMA.
LED: Power factor: $\geq 0,92$.
 Luminous flux maintenance 80%:
 90.000h (L80B20).
Equipment: complete with electrical cable for mains connection L=0,6m.



| 1701 Cripto micro - asymmetric | | | | | |
|--------------------------------|----------|----------|-----------|-------|---|
| | | CLD CELL | | W tot | LUMEN OUTPUT (tq= 25 °C) K - ølm 350mA - CRI |
| wattage (350mA) | colour | weight | code | | |
| LED | graphite | 1.50 | 412970-00 | 17 | 4000K - 2350lm - CRI 90 |
| LED | white | 1.50 | 412971-00 | | |

Available in DIMM-DALI version with subcode **-0041**.



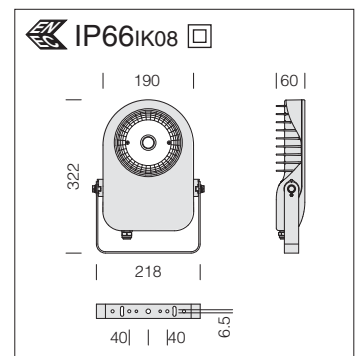
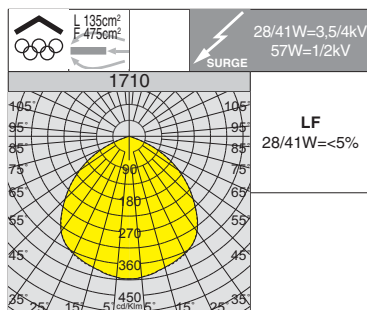
Reflector: in pre-anodised aluminium.

LED: Power factor: $\geq 0,9$.
Luminous flux maintenance 80%: 50.000h (L80B20).

Equipment: complete with electrical cable for mains connection.

Note: when ordering, make sure you select the **AMBER LED** type best suited for your lighting design and installation needs.

| 1710 Cripto small - wide beam | | | | |
|-------------------------------|------------|----------|-----------|--------------------------|
| | | CLD CELL | | LUMEN OUTPUT (tq= 25 °C) |
| wattage (700mA) | colour | weight | code | W tot |
| LED COB AMBER | graphite | 2.50 | 413000-73 | 28 |
| LED COB AMBER | grey 9006 | 2.50 | 413001-73 | |
| LED COB AMBER | white | 2.50 | 413002-73 | |
| LED COB AMBER | anthracite | 2.50 | 413003-73 | |
| | | | | K - ølm 700mA - CRI |
| wattage (1050mA) | | | | 41 |
| LED COB AMBER | graphite | 2.50 | 413050-73 | |
| LED COB AMBER | grey 9006 | 2.50 | 413051-73 | |
| LED COB AMBER | white | 2.50 | 413054-73 | |
| LED COB AMBER | anthracite | 2.50 | 413056-73 | K - ølm 1050mA - CRI |

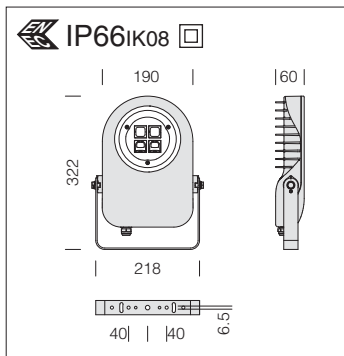


Reflector: in pre-anodised aluminium.

LED: Power factor: $\geq 0,9$.
Luminous flux maintenance 80%: 50.000h (L80B20).

Equipment: complete with electrical cable for mains connection.

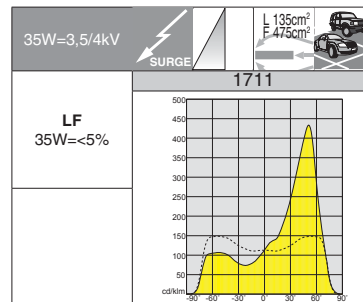
| 1710 Cripto small - wide beam | | | | |
|-------------------------------|------------|----------|-----------|--------------------------|
| | | CLD CELL | | LUMEN OUTPUT (tq= 25 °C) |
| wattage (700mA) | colour | weight | code | W tot |
| LED COB | graphite | 2.50 | 413000-00 | 28 |
| LED COB | grey 9006 | 2.50 | 413001-00 | |
| LED COB | white | 2.50 | 413002-00 | |
| LED COB | anthracite | 2.50 | 413003-00 | |
| | | | | K - ølm 700mA - CRI |
| wattage (1050mA) | | | | 41 |
| LED COB | graphite | 2.50 | 413050-00 | |
| LED COB | grey 9006 | 2.50 | 413051-00 | |
| LED COB | white | 2.50 | 413054-00 | |
| LED COB | anthracite | 2.50 | 413056-00 | K - ølm 1050mA - CRI |
| wattage (1400mA) | | | | 57 |
| LED COB | graphite | 2.50 | 413052-00 | |
| LED COB | grey 9006 | 2.50 | 413053-00 | |
| LED COB | white | 2.50 | 413055-00 | |
| LED COB | anthracite | 2.50 | 413057-00 | K - ølm 1400mA - CRI |



Optics: in PMMA, highly resistant to temperature and UV radiation. Flow recovery in V0 polycarbonate.

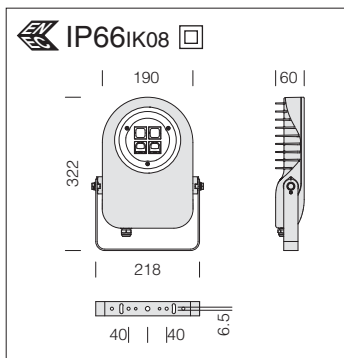
LED: Power factor: $\geq 0,9$.
Luminous flux maintenance 80%: 80.000h (L80B10).

Equipment: complete with electrical cable for mains connection.



| 1711 Cripto small - asymmetric | | | | | |
|--------------------------------|------------|----------|-----------|-------|--------------------------|
| | | CLD CELL | | W tot | LUMEN OUTPUT (tq= 25 °C) |
| wattage (700mA) | colour | weight | code | | K - ølm 700mA - CRI |
| LED | graphite | 4.00 | 413010-00 | 35 | 4000K - 3293lm - CRI 80 |
| LED | grey 9006 | 4.00 | 413011-00 | | |
| LED | anthracite | 4.00 | 413012-00 | | |

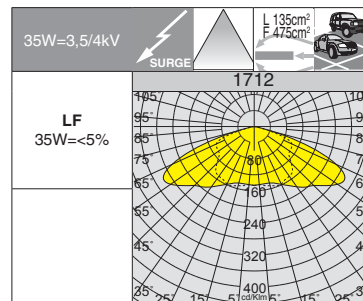
| | Power supply | W tot | ølm |
|------------|--------------|-------|------|
| On request | 530mA | 26 | 2493 |



Optics: in PMMA, highly resistant to temperature and UV radiation. Flow recovery in V0 polycarbonate.

LED: Power factor: $\geq 0,9$.
Luminous flux maintenance 80%: 80.000h (L80B10).

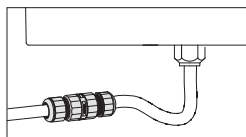
Equipment: complete with electrical cable for mains connection.

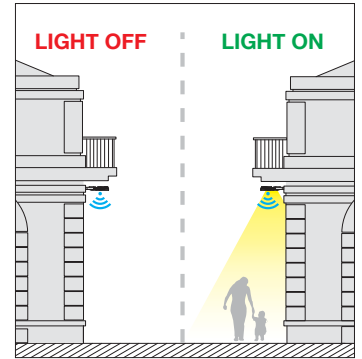


| 1712 Cripto small - symmetric | | | | | |
|-------------------------------|------------|----------|-----------|-------|--------------------------|
| | | CLD CELL | | W tot | LUMEN OUTPUT (tq= 25 °C) |
| wattage (700mA) | colour | weight | code | | K - ølm 700mA - CRI |
| LED | graphite | 4.00 | 413020-00 | 35 | 4000K - 3483lm - CRI 80 |
| LED | grey 9006 | 4.00 | 413021-00 | | |
| LED | anthracite | 4.00 | 413022-00 | | |

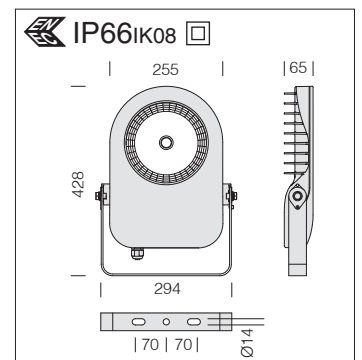
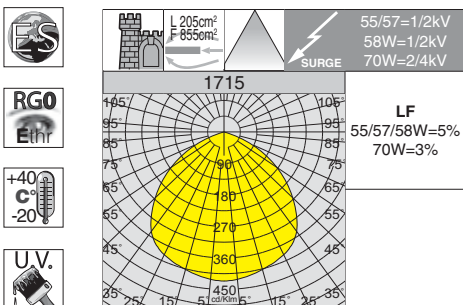
| | Power supply | W tot | ølm |
|------------|--------------|-------|------|
| On request | 530mA | 26 | 2637 |

acc. 339 Connector
993836-00
To be used for mains connection of art. 1710-1711-1712





RADAR SENSOR (sub-code -19): is an automatic sensor that immediately sense the presence of people's movements and anyone walking past. When there is movement within the sensor's detection range, the light will remain ON. When no further movement is detected, the light will switch OFF after a pre-set time.



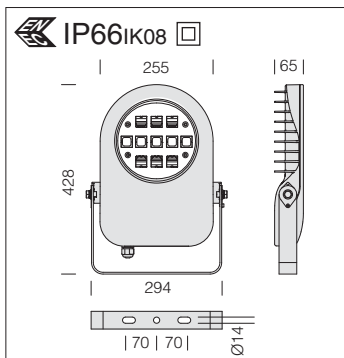
Reflector: in pre-anodised aluminium.

LED: Power factor: $\geq 0,9$.
Luminous flux maintenance 80%: 50.000h (L80B20).

Note: when ordering, make sure you select the **AMBER LED** type best suited for your lighting design and installation needs.

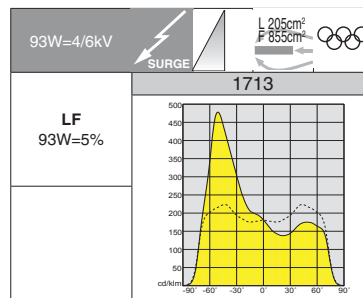
-
-
-
-
-
-
-
-

| 1715 Cripto medium - wide beam | | | | | |
|--------------------------------|-----------|----------|-----------|--------------------------|-------------------------|
| | | CLD CELL | | LUMEN OUTPUT (tq= 25 °C) | |
| wattage (1050mA) | colour | weight | code | W tot | K - ølm 1050mA - CRI |
| LED COB | graphite | 5.50 | 413062-00 | 55 | 4000K - 6673lm - CRI 80 |
| LED COB | grey 9006 | 5.50 | 413063-00 | | |
| wattage (1400mA) | | | | | K - ølm 1400mA - CRI |
| LED COB | graphite | 5.50 | 413060-00 | 57 | 4000K - 5347lm - CRI 90 |
| LED COB | grey 9006 | 5.50 | 413061-00 | | |
| LED COB AMBER | graphite | 5.50 | 413060-73 | 58 | 2200K - 6149lm - AMBER |
| LED COB AMBER | grey 9006 | 5.50 | 413061-73 | | |
| wattage (1750mA) | | | | | K - ølm 1750mA - CRI |
| LED COB | graphite | 5.50 | 413064-00 | 70 | 4000K - 9306lm - CRI 80 |
| LED COB | grey 9006 | 5.50 | 413065-00 | | |



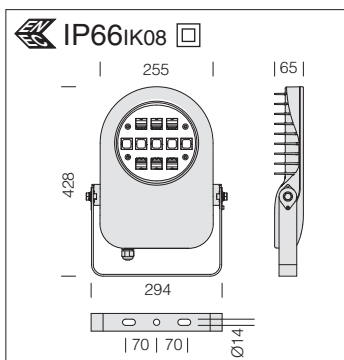
Optics: in PMMA, highly resistant to temperature and UV radiation. Flow recovery in V0 polycarbonate.

LED: Power factor: $\geq 0,9$.
Luminous flux maintenance 80%: 80.000h (L80B10).



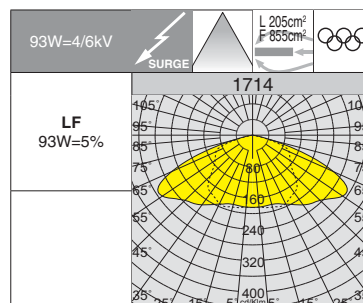
| 1713 Cripto medium - asymmetric | | | | | | |
|---------------------------------|-----------|----------|-----------|-------|--------------------------|-----------------|
| | | CLD CELL | | W tot | LUMEN OUTPUT (tq= 25 °C) | |
| wattage (700mA) | colour | weight | code | | K | ølm 700mA - CRI |
| LED | graphite | 5.50 | 413030-00 | 93 | 4000K - 9121lm - CRI 80 | |
| LED | grey 9006 | 5.50 | 413031-00 | | | |

| | Power supply | W tot | ølm |
|------------|--------------|-------|--------|
| On request | 530mA | 70 | 6906lm |



Optics: in PMMA, highly resistant to temperature and UV radiation. Flow recovery in V0 polycarbonate.

LED: Power factor: $\geq 0,9$.
Luminous flux maintenance 80%: 80.000h (L80B10).

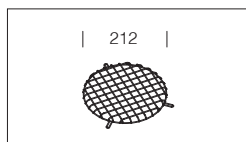


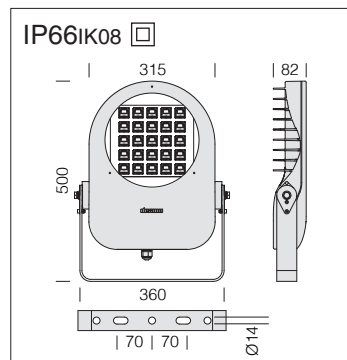
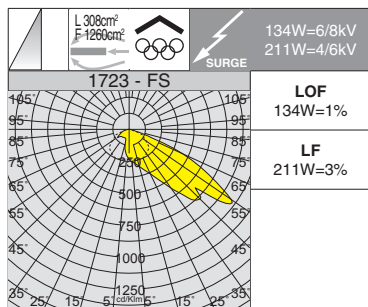
| 1714 Cripto medium - symmetric | | | | | | |
|--------------------------------|-----------|----------|-----------|-------|--------------------------|-----------------|
| | | CLD CELL | | W tot | LUMEN OUTPUT (tq= 25 °C) | |
| wattage (700mA) | colour | weight | code | | K | ølm 700mA - CRI |
| LED | graphite | 5.50 | 413040-00 | 93 | 4000K - 9583lm - CRI 80 | |
| LED | grey 9006 | 5.50 | 413041-00 | | | |

| | Power supply | W tot | ølm |
|------------|--------------|-------|--------|
| On request | 530mA | 70 | 7256lm |



| acc. 306 protection guard | |
|---|-----------|
| black | 145515-00 |
| Plastic-coated steel rod. For protection against impact (except COB version). | |



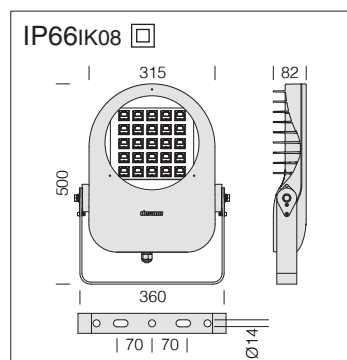
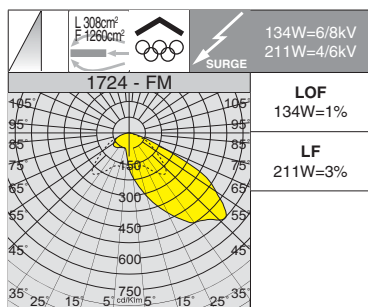


Optics: in PMMA, highly resistant to temperature and UV radiation. Flow recovery in V0 polycarbonate.

LED: Power factor: $\geq 0,9$. Luminous flux maintenance 80%: 80.000h (L80B10).

Installation is recommended in places where the ambient temperature is:
max 40° C - outdoor
max 30° C - indoor

| 1723 Cripto Big - asymmetric 50° - FS | | | | | |
|---------------------------------------|-----------|----------|-----------|-------|--------------------------|
| | | CLD CELL | | | LUMEN OUTPUT (tq= 25 °C) |
| wattage (700mA) | colour | weight | code | W tot | K - ølm 700mA - CRI |
| LED | graphite | 7.50 | 413070-00 | 134 | 4000K - 12169lm - CRI 80 |
| LED | grey 9006 | 7.50 | 413074-00 | | |
| LED | graphite | 8.00 | 413071-00 | 211 | 4000K - 19014lm - CRI 80 |
| LED | grey 9006 | 8.00 | 413075-00 | | |

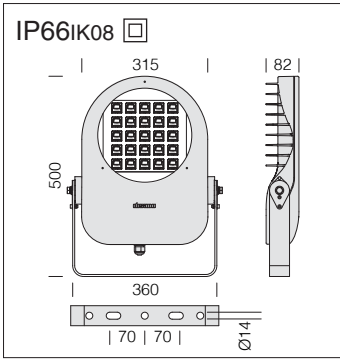


Optics: in PMMA, highly resistant to temperature and UV radiation. Flow recovery in V0 polycarbonate.

LED: Power factor: $\geq 0,9$. Luminous flux maintenance 80%: 80.000h (L80B10).

Installation is recommended in places where the ambient temperature is:
max 40° C - outdoor
max 30° C - indoor

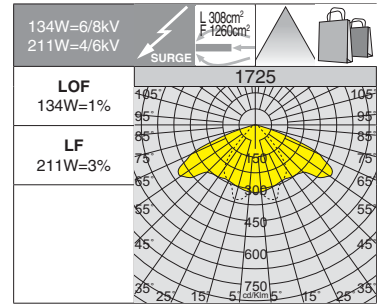
| 1724 Cripto Big - asymmetric 50° - FM | | | | | |
|---------------------------------------|-----------|----------|-----------|-------|--------------------------|
| | | CLD CELL | | | LUMEN OUTPUT (tq= 25 °C) |
| wattage (700mA) | colour | weight | code | W tot | K - ølm 700mA - CRI |
| LED | graphite | 7.50 | 413080-00 | 134 | 4000K - 10800lm - CRI 80 |
| LED | grey 9006 | 7.50 | 413084-00 | | |
| LED | graphite | 8.00 | 413081-00 | 211 | 4000K - 16876lm - CRI 80 |
| LED | grey 9006 | 8.00 | 413085-00 | | |



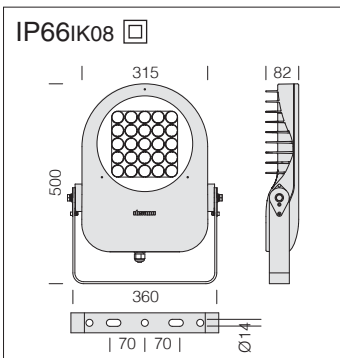
Optics: in PMMA, highly resistant to temperature and UV radiation. Flow recovery in V0 polycarbonate.

LED: Power factor: $\geq 0,9$.
Luminous flux maintenance 80%: 80.000h (L80B10).

Installation is recommended in places where the ambient temperature is:
max 40° C - outdoor
max 30° C - indoor



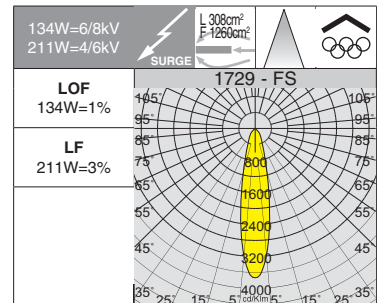
| 1725 Cripto Big - symmetric | | | | | |
|-----------------------------|-----------|----------|-----------|--------------------------|--------------------------|
| | | CLD CELL | | LUMEN OUTPUT (tq= 25 °C) | |
| wattage (700mA) | colour | weight | code | W tot | K - ø1m 700mA - CRI |
| LED | graphite | 7.50 | 413090-00 | 134 | 4000K - 12988lm - CRI 80 |
| LED | grey 9006 | 7.50 | 413094-00 | | |
| LED | graphite | 8.00 | 413091-00 | 211 | 4000K - 20259lm - CRI 80 |
| LED | grey 9006 | 8.00 | 413095-00 | | |



Optics: in PMMA, highly resistant to temperature and UV radiation. Flow recovery in V0 polycarbonate.

LED: Power factor: $\geq 0,9$.
Luminous flux maintenance 80%: 80.000h (L80B10).

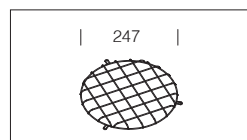
Installation is recommended in places where the ambient temperature is:
max 40° C - outdoor
max 30° C - indoor



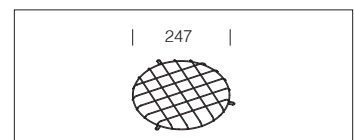
| 1729 Cripto Big - symmetric 20° - FS | | | | | |
|--------------------------------------|-----------|----------|-----------|--------------------------|--------------------------|
| | | CLD CELL | | LUMEN OUTPUT (tq= 25 °C) | |
| wattage (700mA) | colour | weight | code | W tot | K - ø1m 700mA - CRI |
| LED | graphite | 7.50 | 413170-00 | 134 | 4000K - 14026lm - CRI 80 |
| LED | grey 9006 | 7.50 | 413174-00 | | |
| LED | graphite | 8.00 | 413171-00 | 211 | 4000K - 22003lm - CRI 80 |
| LED | grey 9006 | 8.00 | 413175-00 | | |

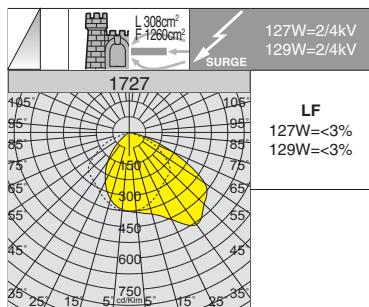


| acc. 306 protection guard | |
|--|-----------|
| black | 145516-00 |
| Plastic-coated steel rod. For protection against impact of Cripto with 12-25 LED (except COB version). | |



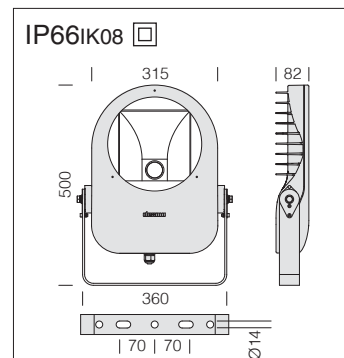
| acc. 306 protection guard | |
|---|-----------|
| black | 145517-00 |
| Plastic-coated steel rod. For protection against impact of Cripto with 16 LED (except COB version). | |





50.000h

COB AMBER

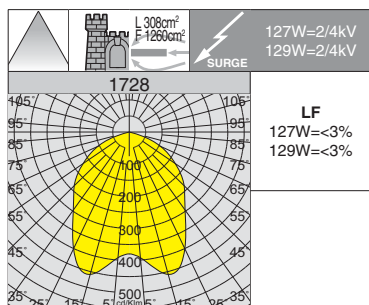


Reflector: asymmetric and faceted, made from aluminium 99.98.

LED: Power factor: $\geq 0,92$. Luminous flux maintenance 80%: 50.000h (L80B20).

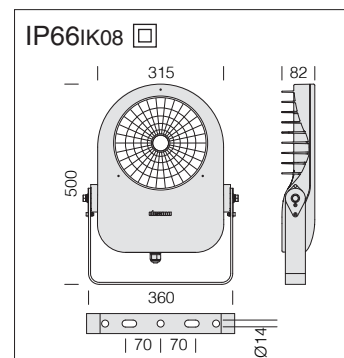
Note: when ordering, make sure you select the **AMBER LED** type best suited for your lighting design and installation needs.

| 1727 Cripto Big - asymmetric | | | | | |
|------------------------------|-----------|----------|-----------|--------------------------|--------------------------|
| | | CLD CELL | | LUMEN OUTPUT (tq= 25 °C) | |
| wattage (2100mA) | colour | weight | code | W tot | K - ølm 2100mA - CRI |
| LED COB | graphite | 6.00 | 413150-00 | 129 | 4000K - 12738lm - CRI 80 |
| LED COB | grey 9006 | 6.00 | 413152-00 | | |
| LED COB AMBER | graphite | 6.00 | 413150-73 | 127 | 2200K - 14266lm - AMBER |
| LED COB AMBER | grey 9006 | 6.00 | 413152-73 | | |



50.000h

COB AMBER

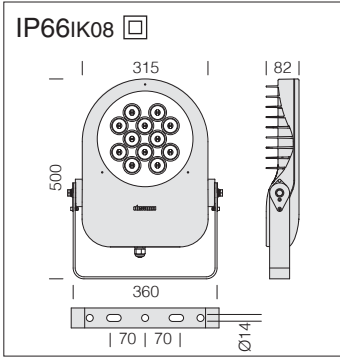


Reflector: in pre-anodized aluminium.

LED: Power factor: $\geq 0,92$. Luminous flux maintenance 80%: 50.000h (L80B20).

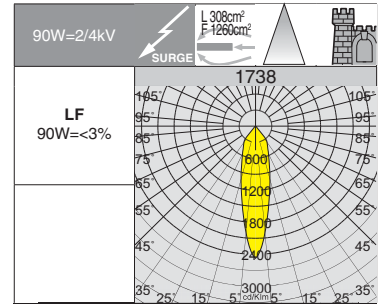
Note: when ordering, make sure you select the **AMBER LED** type best suited for your lighting design and installation needs.

| 1728 Cripto Big - wide beam | | | | | |
|-----------------------------|-----------|----------|-----------|--------------------------|--------------------------|
| | | CLD CELL | | LUMEN OUTPUT (tq= 25 °C) | |
| wattage (2100mA) | colour | weight | code | W tot | K - ølm 2100mA - CRI |
| LED COB | graphite | 6.00 | 413160-00 | 129 | 4000K - 12292lm - CRI 80 |
| LED COB | grey 9006 | 6.00 | 413162-00 | | |
| LED COB AMBER | graphite | 6.00 | 413160-73 | 127 | 2200K - 13767lm - AMBER |
| LED COB AMBER | grey 9006 | 6.00 | 413162-73 | | |

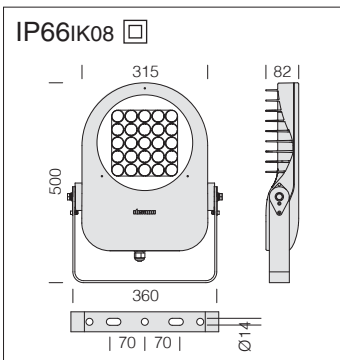


Optics: in high-performance metallic V2 polycarbonate with micro-faceted finish.

LED: Power factor: $\geq 0,92$.
Luminous flux maintenance 80%: 80.000h (L80B10).

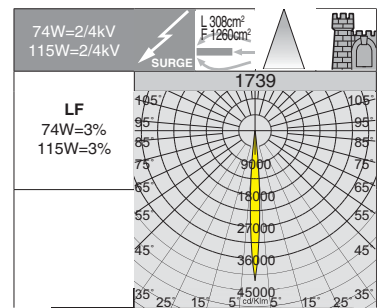


| 1738 Cripto Big - 24° | | | | | |
|-----------------------|-----------|----------|-----------|--------------------------|-------------------------|
| | | CLD CELL | | LUMEN OUTPUT (tq= 25 °C) | |
| wattage (2100mA) | colour | weight | code | W tot | K - ølm 2100mA - CRI |
| LED | graphite | 7.50 | 413180-00 | 90 | 4000K - 6511lm - CRI 80 |
| LED | grey 9006 | 7.50 | 413181-00 | | |



Optics: made of PMMA with high temperature resistance and UV rays.

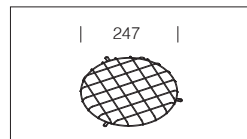
LED: Power factor: $\geq 0,92$.
Luminous flux maintenance 80%: 80.000h (L80B10).



| 1739 Cripto Big - 7° | | | | | |
|----------------------|-----------|----------|-----------|--------------------------|-------------------------|
| | | CLD CELL | | LUMEN OUTPUT (tq= 25 °C) | |
| wattage (1400mA) | colour | weight | code | W tot | K - ølm 1400mA - CRI |
| LED | graphite | 7.50 | 413190-00 | 74 | 4000K - 5872lm - CRI 80 |
| LED | grey 9006 | 7.50 | 413191-00 | | |
| LED | graphite | 8.00 | 413192-00 | 115 | 4000K - 9176lm - CRI 80 |
| LED | grey 9006 | 8.00 | 413193-00 | | |



| acc. 306 protection guard | |
|--|-----------|
| black | 145516-00 |
| Plastic-coated steel rod. For protection against impact of Cripto with 12-25 LED (except COB version). | |



| acc. 306 protection guard | |
|---|-----------|
| black | 145517-00 |
| Plastic-coated steel rod. For protection against impact of Cripto with 16 LED (except COB version). | |

