



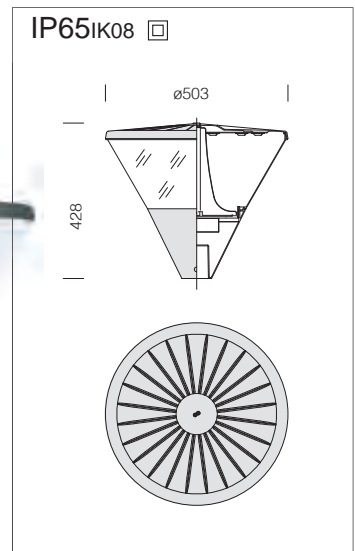
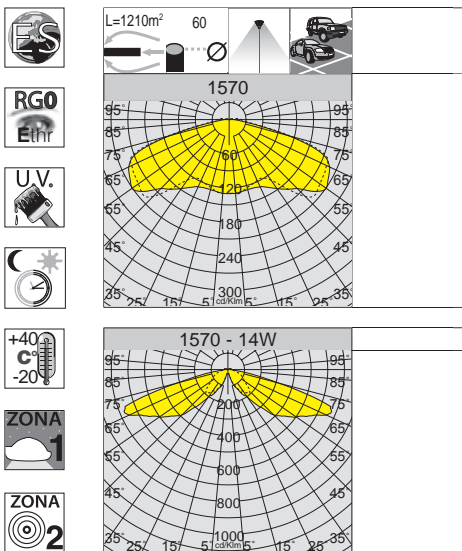
Housing: made of die-cast aluminium.

Cover art. 1517/1518: made of aluminium plate.

Diffuser: in vandal-resistant V2 self-extinguishing polycarbonate, UV-stabilized.

Coating: the standard liquid immersion coating consists of a first metal surface pre-treatment stage, a successive epoxy cataphoresis corrosion and salt resistant coating, and a final layer of bi-component acrylic liquid UV-stabilised coating.

Equipment: automatic temperature control inside the device with automatic resetting. Complete with quick-connector for connection to the line.



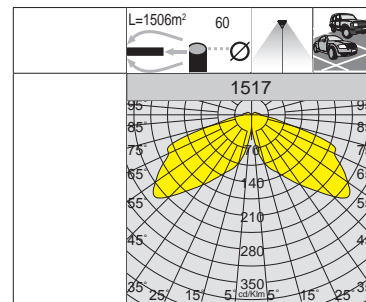
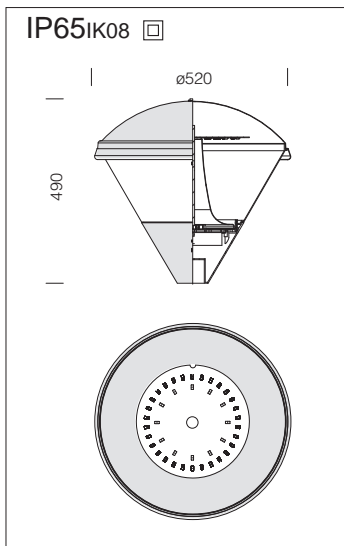
1570 Clima					
wattage (700mA)	colour	CLD CELL		W tot	LUMEN OUTPUT (tq= 25 °C)
		weight	code		K - ølm 700mA - CRI
LED	grey 9007	5.90	422400-00	101	4000K - 11078lm - CRI>70
LED	graphite	5.90	422401-00		
LED	grey 9007	5.90	422400-0016	101	4000K - 10524lm - CRI>70
LED	graphite	5.90	422401-0016		

On request: 350mA powered version - **49W** - 5539lm; possibility to control each individual light point (see table on p. XIX).

LED: Power factor ≥ 0.9 .
Luminous flux maintenance 70%:
80.000h (L70B20).

1570 Clima					
potenza (350mA)	colour	CLD CELL		W tot	LUMEN OUTPUT (tq= 25 °C)
		weight	code		K - ølm 350mA - CRI
LED	grey 9007	5.90	422403-00	13	4000K - 1372lm - CRI 70
LED	graphite	5.90	422404-00		

On request: possibility to control each individual light point (see table on p. XIX). Recommended for poles up to 2 metres tall.



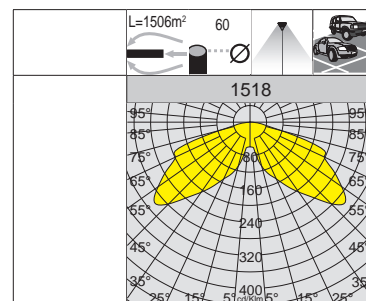
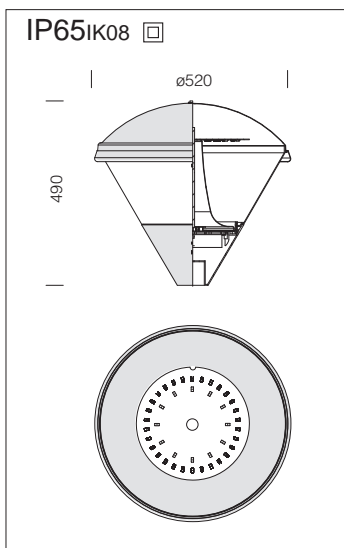
Equipment: temperature control device. In the event of an unexpected LED temperature rise caused by particular weather conditions or a LED failure, the system will reduce the luminous flux to lower the working temperature and guarantee proper operation.



LED: Clima LED is equipped with 30/42 latest generation LED modules with 130°x70° degrees lens to obtain an elevated lighting yield. Power factor ≥ 0.9 . Luminous flux maintenance 80%: 80.000h (L80B20).

1517 Clima					
		CLD CELL			LUMEN OUTPUT (tq= 25 °C)
wattage (350mA)	colour	weight	code	W tot	K - ϕ lm 350mA - CRI
LED	grey 9007	5.90	422372-00	31	4000K - 3663lm - CRI>70
LED	graphite	5.90	422373-00		
LED	grey 9007	5.90	422370-00	43	4000K - 5131lm - CRI>70
LED	graphite	5.90	422371-00		

On request: possibility to control each individual light point (see table on p. XIX).



Equipment: temperature control device. In the event of an unexpected LED temperature rise caused by particular weather conditions or a LED failure, the system will reduce the luminous flux to lower the working temperature and guarantee proper operation.



LED: Clima LED is equipped with 42 latest generation LED modules with 130°x70° degrees lens to obtain an elevated lighting yield. Power factor ≥ 0.9 . Luminous flux maintenance 80%: 80.000h (L80B20).

1518 Clima - anti-light pollution					
		CLD CELL			LUMEN OUTPUT (tq= 25 °C)
wattage (350mA)	colour	weight	code	W tot	K - ϕ lm 350mA - CRI
LED	grey 9007	5.90	422380-00	43	4000K - 3789lm - CRI>70
LED	graphite	5.90	422381-00		

On request: possibility to control each individual light point (see table on p. XIX).