



Housing/ Cover: die-cast aluminium EN AB 47100. Rear lamp housing access. Hinge opening with stainless steel latches.

Diffuser: tempered glass, 5mm thick, thermal shock and impact resistant (UNI EN 121 50-1:2001 tests). 20° tilt glass angle for high asymmetric louvre efficiency and excellent output

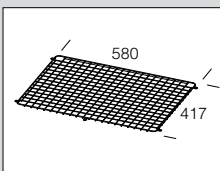
Coating: polyester-resin powder coating, resistant to corrosion and saline environments.

Lampholder: adjustable in 4 different positions that allow changing photometric distribution based on the type of installation.

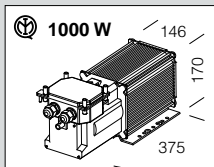
Electric gear: 230V/50Hz (1000W) or 400V (2000W) power supply. Hard wire terminated with quick connection admiralty brass clamps, PTFE section 1.5 mm². 2P+T terminal block, maximum allowed lead cross section 6 mm².

Standard supply: tool-free maintenance. A knife switch cuts the power supply during maintenance operations.

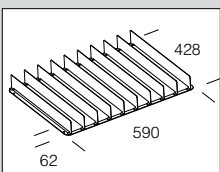
Equipment: silicone rubber gasket. Nylon cable gland, ½ Gas thread. Galvanized steel bracket with protractor scale. Stainless steel screws. Air circulation valve.



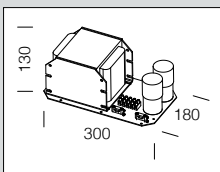
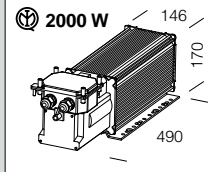
acc. 478 protection guard	
black	995780-00
Plastic-coated steel rod. For protection against impact.	



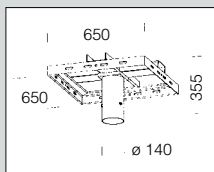
1176 electric gear CC - IP66			
		CNR	
wattage	colour	weight	code
JM-T/TS/SAP-T 1000	gray	11.60	997674-00
JM-TS 2000	gray	16.00	997673-00
Containing ballast and capacitor.			



acc. 480 louvre	
black	995782-00
Made of steel. To reduce glare and improve light control.	

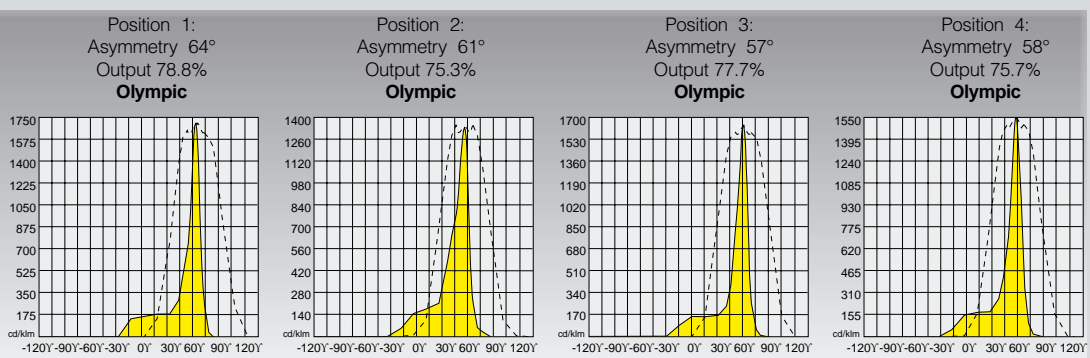


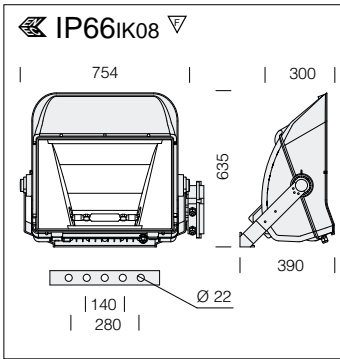
acc. 1177 power supply	
JM-TS 1000	997640-16
JM-TS 2000	997642-16
In aluminium with removable tray. It contains: ballast and capacitor.	



acc. 163 steel pole mount	
galvanized	998094-00
To be used to install up to 4 floodlights.	

The lampholder can be adjusted in 4 different positions to obtain different light distribution curves. Different lamp directions enable different asymmetric angles, without tilting the floodlights.





Reflector: asymmetric, in polished aluminium, anodically oxidized and polished.



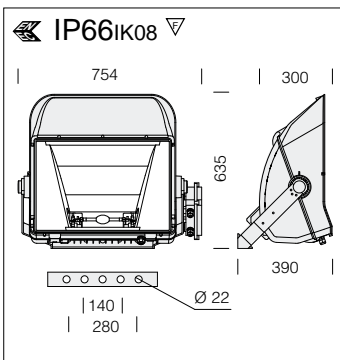
JM-TS/LA-...MD a cavo	L=1400cm ² F=2300cm ²	ASYMMETRIC VARIABLE: 55°-60°-65°	
JM/SAP-T...MT E40			



1808 Olympic - asymmetric for Lamps LA

		S		S+L		CNR hot restrike		Lamps (Ta=25°C)
wattage	colour	weight	code	weight	code	weight	code	Kelvin - ølm - Ra
Max-TS 1000LA	silv.+grap.	18.00	415210-00			41.00	415210-99	
Max-TS 2000LA	silv.+grap.	18.00	415211-00			41.00	415211-99	
SAP-T 1000	silv.+grap.			18.00	415212-00			2000K - 130000lm - Ra 25
JM-T 1000	silv.+grap.			18.00	415213-00			4000K - 90000lm - Ra 68

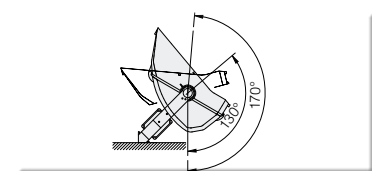
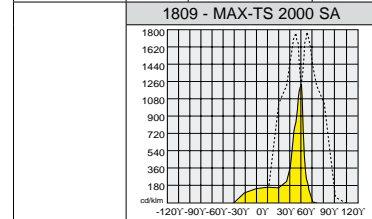
Please note: floodlight sub-code -49 should be ordered when using lamp sub-code -49. Without electric gear (see acc. 1177).



Reflector: asymmetric, in polished aluminium, anodically oxidized and polished.



JM-TS/SA-...MD a cavo	L=1400cm ² F=2300cm ²	ASYMMETRIC VARIABLE: 55°-60°-65°	



1809 Olympic - asymmetric for Lamps SA

		S		CNR hot restrike	
wattage	colour	weight	code	weight	code
Max-TS 1000SA	silv.+grap.	18.00	415220-00	41.00	415220-99
Max-TS 2000SA	silv.+grap.	18.00	415221-00	41.00	415221-99

Without electric gear (see acc. 1176).

On request art. 1808/1809: special glass to be used when the floodlight is aimed upwards with a tilt angle between 130° to 175°.

IMPORTANT: make sure the diffuser surface is free from dirt or other foreign material.

	code	Flux lm	K	Ra
Long arc lamp LA				
JM-TS 1000/230V	986121-00	90000	5600	90
JM-TS 2000/400V	986122-00	190000	5600	90
JM-TS 2000/400V	986122-49	230000	4200	65
Short arc lamps SA				
JM-TS 1000/230V	986113-00	90000	6100	90
JM-TS 2000/400V	986118-00	210000	6100	90
JM-TS 2000/400V	986119-00	220000	5900	85

