

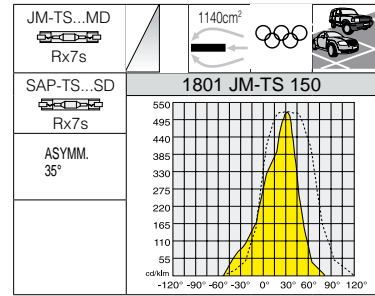
**Housing:** die-cast aluminium with cooling fins.

**Reflector:** Made of 3µ thick 99.85 anodised and polished hammered aluminium.

**Diffuser:** tempered glass 5 mm thick, resistant to impact and thermal shock.

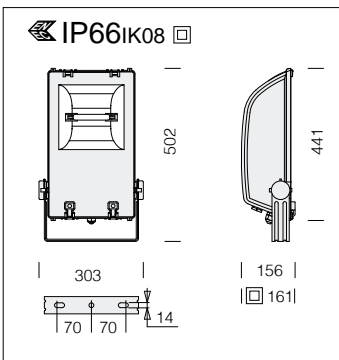
**Coating:** graphite grey polyester powder coating, resistant to corrosive and saline environments.

**Equipment:** silicone rubber gasket. Fibreglass nylon cable gland, Ø 1/2 gas. Ø 1/2inch gas. Corrosion and gripping resistant retained stainless steel screws. Steel bracket with protractor scale. The front frame opens on hinges (no tools required) and stays attached to the fixture housing. Equipped with air circulation valve. Latches: AISI 301 stainless steel.

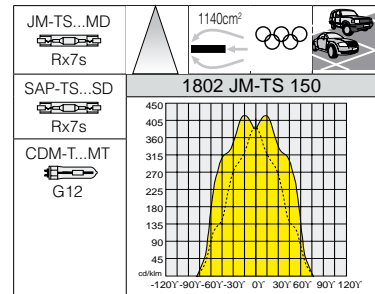


1801 Rodio 2 - asymmetric						
		CNRL		CNRL double insulation		Lamps (Ta=25°C)
wattage	colour	weight	code	weight	code	Kelvin - ølm - Ra
JM-TS 150	graphite	7.20	414610-00	7.40	414610-14	4200K - 12500lm - Ra>80
SAP-TS 150	graphite	7.20	414611-00	7.40	414611-14	2000K - 15000lm - Ra 40

Double insulation version supplied with knife switch.



**Reflector:** Made of 3µ thick 99.85 anodised and polished hammered aluminium.



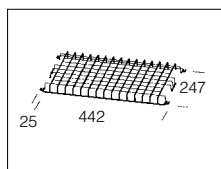
On request:  
CDM-T 150



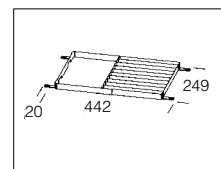
1802 Rodio 2 - symmetric						
		CNRL		CNRL double insulation		Lamps (Ta=25°C)
wattage	colour	weight	code	weight	code	Kelvin - ølm - Ra
JM-TS 150	graphite	7.20	414620-00	7.40	414620-14	4200K - 12500lm - Ra>80
SAP-TS 150	graphite	7.20	414621-00	7.40	414621-14	2000K - 15000lm - Ra 40

Double insulation version supplied with knife switch.

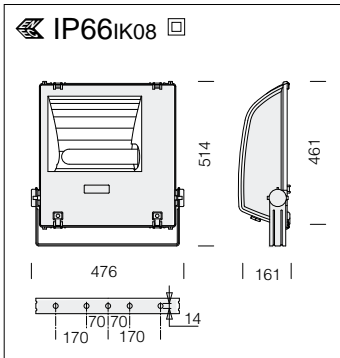
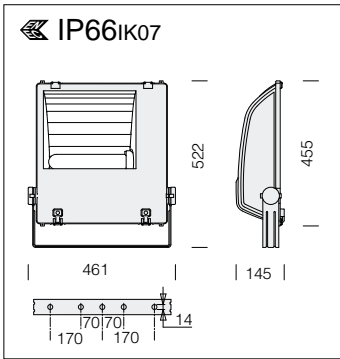
acc. 350 protection guard	
black	997921-00
Plastic-coated steel rod. For protection against impact. <b>For art. 1801/1802.</b>	



acc. 347 louvre	
black	997918-00
Made of steel. To reduce glare and improve light control. <b>For art. 1801/2.</b>	







**Reflector:** asymmetric 55° (efficiency 77%) made of 3μ thick 99.85 anodised, polished and hammered aluminium.



SAP-T...ST  
E40

JM-T...MT  
E40

ASymm  
55°

EFF.=  
tot. 77%

1900cm<sup>2</sup>

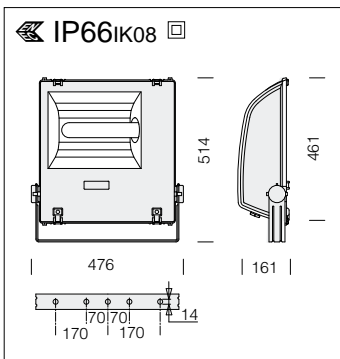
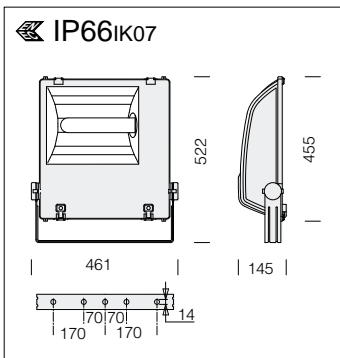
1803 SAP-T 400

U.V.



1803 Rodio 3 - asymmetric						
		CNRL		CNRL double insulation		Lamps (Ta=25°C)
wattage	colour	weight	code	weight	code	Kelvin - ølm - Ra
SAP-T 150	graphite	9.00	414715-00	9.50	414710-14	2000K - 17200lm - Ra 40
SAP-T 250	graphite	10.00	414716-00	10.50	414711-14	2000K - 33000lm - Ra 40
SAP-T 400	graphite	10.40	414717-00	10.70	414712-14	2000K - 56700lm - Ra 40
JM-T 250	graphite	9.50	414718-00	9.80	414713-14	4500K - 20500lm - Ra 2b
JM-T 400	graphite	10.40	414719-00	10.70	414714-14	4500K - 35000lm - Ra 2b

Double insulation version supplied with knife switch.



**Reflector:** symmetric made of 3μ thick 99.85 anodised, polished and hammered aluminium.



SAP-T...ST  
E40

JM-T...MT  
E40

beam angle  
transv. 2x25°  
long. 2x47°

1900cm<sup>2</sup>

1804 SAP-T 400

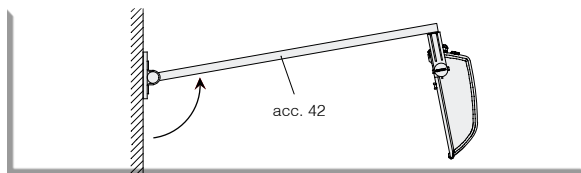
U.V.



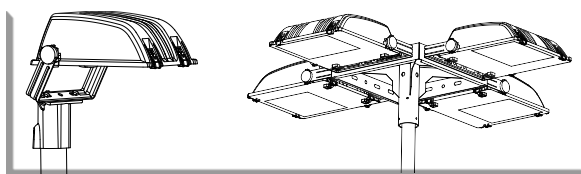
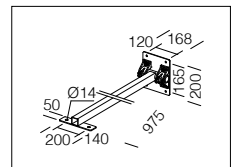
1804 Rodio 3 - symmetric						
		CNRL		CNRL double insulation		Lamps (Ta=25°C)
wattage	colour	weight	code	weight	code	Kelvin - ølm - Ra
SAP-T 150	graphite	9.00	414815-00	9.50	414810-14	2000K - 17200lm - Ra 40
SAP-T 250	graphite	10.00	414816-00	10.50	414811-14	2000K - 33000lm - Ra 40
SAP-T 400	graphite	10.40	414817-00	10.70	414812-14	2000K - 56700lm - Ra 40
JM-T 250	graphite	9.50	414818-00	9.80	414813-14	4500K - 20500lm - Ra 2b
JM-T 400	graphite	10.40	414819-00	10.70	414814-14	4500K - 35000lm - Ra 2b

Double insulation version supplied with knife switch.

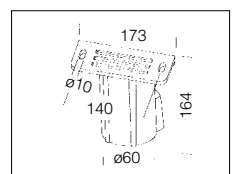




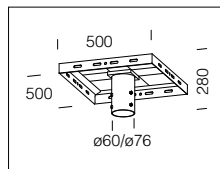
**acc. 42 adjustable-angle arm**  
 black 995504-00  
 Tropicalized steel painted by cationic electrocoating. **For art. Rodio.**



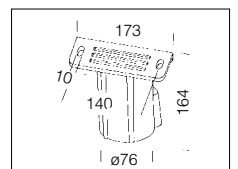
**acc. 333 pole attach. ø60**  
 graphite 997915-00  
 Made of aluminium. To be used to apply the fixture on a ø 60 pole.



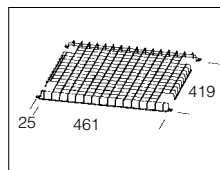
**acc. 164 pole attachment**  
 galvanized 998097-00  
 Made in galvanized steel. To be used to apply on a pole up to 4 fixture ø60/ø76.



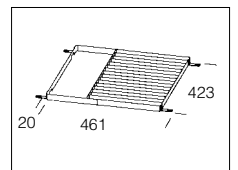
**acc. 334 pole attach. ø76**  
 graphite 997916-00  
 Made of aluminium. To be used to apply the fixture on a ø 76 pole.



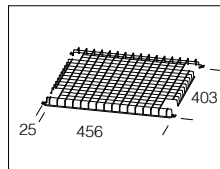
**acc. 351 protection guard**  
 black 997922-00  
 Plastic-coated steel rod. For protection against impact. **For art. 1803/1804 double insulation**



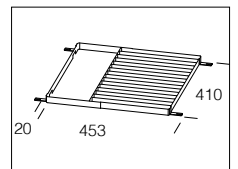
**acc. 348 louvre**  
 black 997919-00  
 Made of steel. To reduce glare and improve light control. **For art. 1803/4. Double insulation**

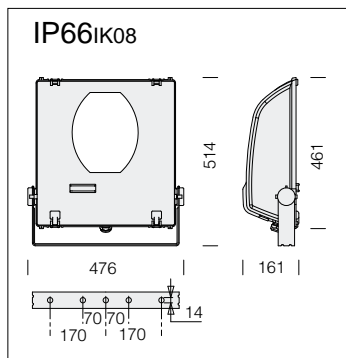


**acc. 403 protection guard**  
 black 997923-00  
 Plastic-coated steel rod. For protection against impact. **For art. 1803/4/5/34.**

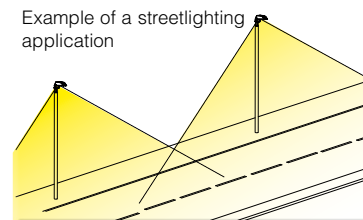
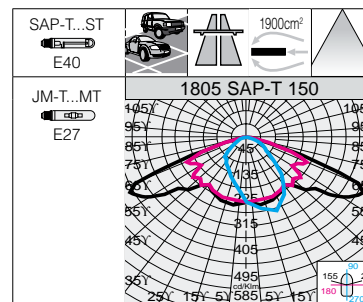


**acc. 404 louvre**  
 black 997924-00  
 Made of steel. To reduce glare and improve light control. **For art. 1803/4/5/34.**





**Reflector:** light pollution preventing optic unit, pressed 99.85 aluminium, anodically oxidized and polished, supplied with light flux recovery device.

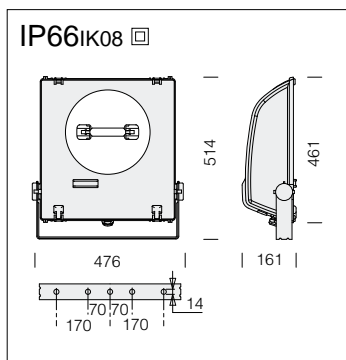


Version with street lighting fixture suitable for pole/head connection using acc. 333 or 334.

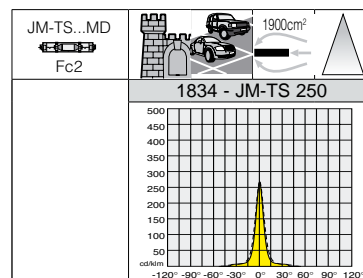
**1805 Rodio 3 - streetlight optics**

		CNRL		CNRL double insulation		Lamps (Ta=25°C)
wattage	colour	weight	code	weight	code	Kelvin - ølm - Ra
<b>SAP-T 150</b>	graphite	10.20	414720-00	10.70	414720-14	2000K - 17200lm - Ra 40
<b>SAP-T 250</b>	graphite	11.50	414721-00	11.50	414721-14	2000K - 33000lm - Ra 40
<b>JM-T 150</b>	graphite	10.20	414722-00	10.70	414722-14	4000K - 14000lm - Ra>80

Double insulation version supplied with knife switch.



**Reflector:** in 99.85 aluminium, anodically oxidised and polished.



**1834 Rodio - narrow beam**

		CNRL		Lamps (Ta=25°C)
wattage	colour	weight	code	Kelvin - ølm - Ra
<b>JM-TS 250</b>	graphite	11.50	414735-00	4200K - 20000lm - Ra 88
<b>JM-TS 400</b>	graphite	11.50	414736-00	4200K - 36000lm - Ra 85

