



Housing: Made of die-cast aluminium.

Cover: single piece die-cast aluminium, opens on hinges, steel latch and safety device which prevent accidental closure.

Diffuser: tempered glass, 5 mm thick, resistant to impact and thermal shock (UNI EN 12150-1: 2001 tests).

Coating: graphite grey housing and polyester powder silver coating, resistant to corrosive and saline environments.

Electric gear: Flexible wire terminated with quick-connect admiralty brass clamps; double silicone insulation; cross-section: 1 sqmm . 2P nylon terminal block (maximum allowed lead cross-section: 2.5 sqmm).

Standard supply: Electric gear on a removable tray with quick connectors for line and lampholder connection. With anti-condensation filter. Option to install a photocell.

Equipment: During maintenance the cover stays attached by means of a device which prevents accidental closing. Environment-friendly silicone rubber gasket.

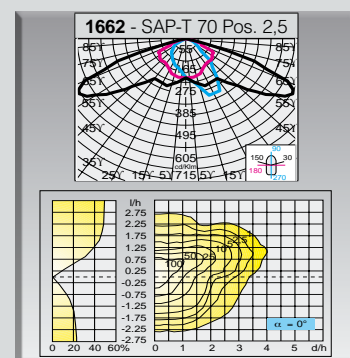
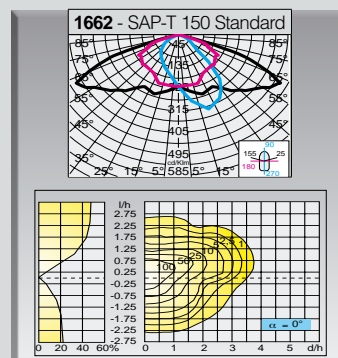
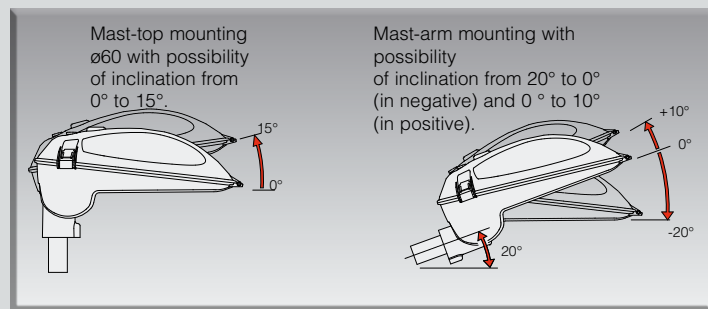
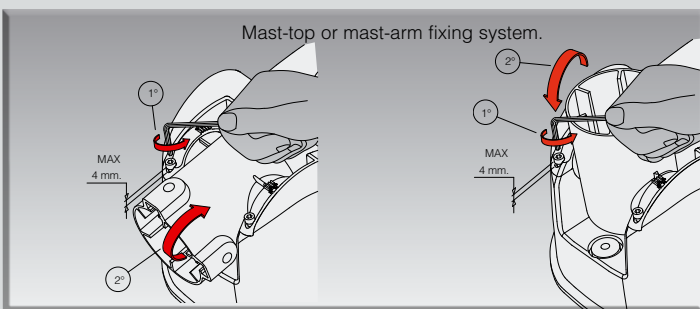
On request: fixtures can be provided with the remote-control and remote management system, also with power reduction.

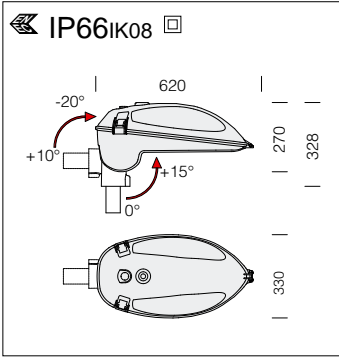
Lighting results: Max + pole 1499

Source	Position	Flux	Disp.	S	H	L	D	I	Lm	Uo	UI	TI%
SAP-T70	X=2,5 Y=1	6500	Uni.	0	6	6	24	0°	0,83	0,44	0,56	8,5
SAP-T100	X=3,5 Y=1	10000	Uni.	0	7	7	26	0°	1,01	0,42	0,64	7,9
SAP-T150	X=4 Y=1	17200	Uni.	0	8	8	30	0°	1,34	0,43	0,66	8,8
SAP-T150	X=4 Y=1	17200	Uni.	0	8	8	26	0°	1,53	0,42	0,76	8

LIGHT-POLLUTION PREVENTING OPTIC:
 Ideal for installation in Zone 1 with suitable inclination.

Lm = medium Luminance
 Uo = general Uniformity
 UI = Longitudinal Uniformity
 TI% = debilitating glare



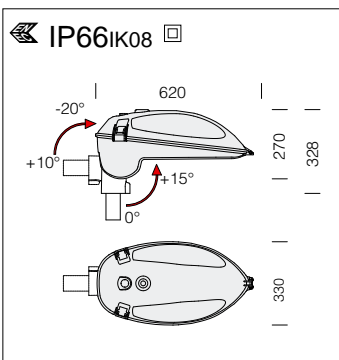
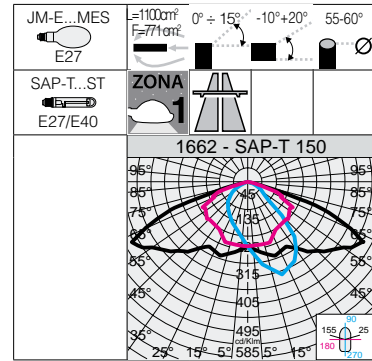


Reflector: Light pollution preventing optic unit. Pressed prismatic aluminium 99.85, anodised and polished.

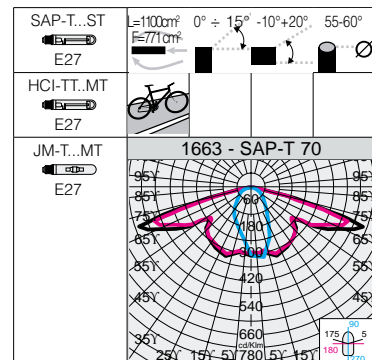
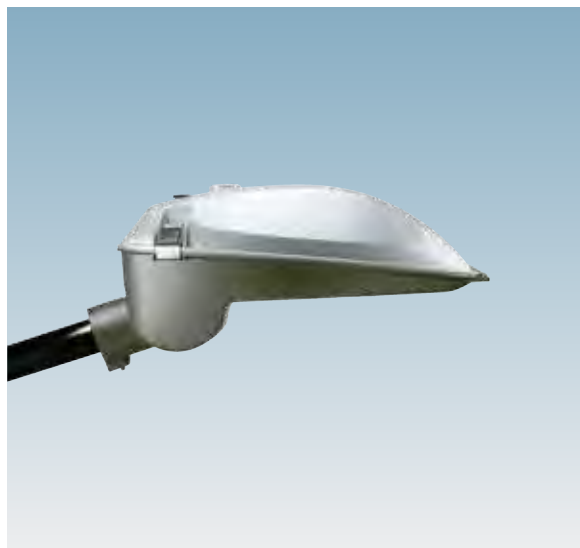


1662 Brallo			
		CNR	
wattage	colour	weight	code
JM-E 100	silv.+grap.	7.70	313566-00
JM-E 150	silv.+grap.	7.70	313567-00
SAP-T 70	silv.+grap.	7.40	313565-00
SAP-T 100	silv.+grap.	7.70	313562-00
SAP-T 150	silv.+grap.	7.70	313563-00
SAP-T 250	silv.+grap.	7.40	313564-00

On request: bipower version with sub-code -30.



Reflector: Light pollution preventing optic unit. Pressed prismatic aluminium 99.85, anodised and polished.



1663 Brallo - bicycle pathways				
		CNRL		Lamps (Ta=25°C)
wattage	colour	weight	code	Kelvin - ølm - Ra
SAP-T 70	silv.+grap.	7.40	313570-00	2000K - 6000lm - Ra 4
HCI-TT 70	silv.+grap.	7.40	313571-00	3000K - 7000lm - Ra 1b
JM-T 150	silv.+grap.	8.20	313572-00	4000K - 14000lm - Ra 1b

