



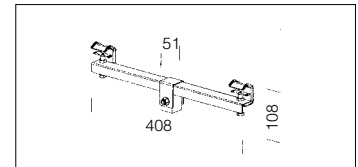
Housing / Frame: in die-cast aluminium with latch.

Reflector: LIGHT POLLUTION-CONTROL REFLECTOR. In anodised, polished, pressed 99.85 aluminium.

Diffuser: in pressed, prismatic glass, 5 mm thick thermal shocks and impact resistant (UNI EN 12150-1/2001 tests).

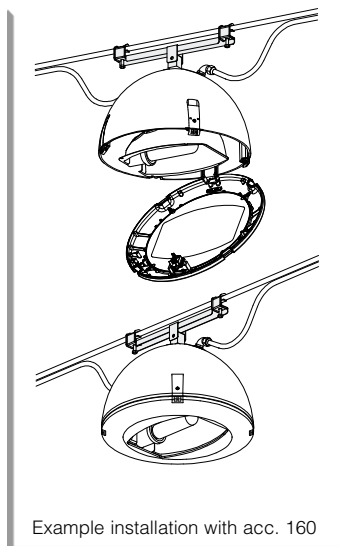
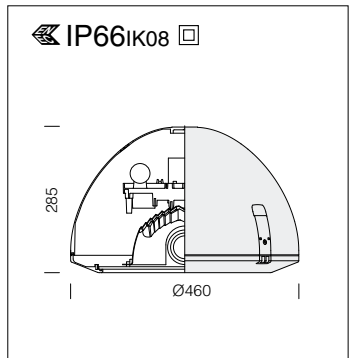
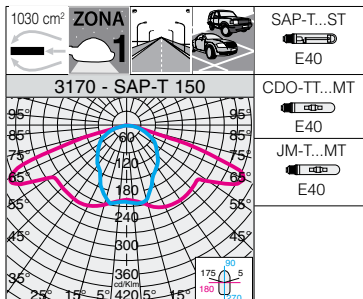
Equipment: during maintenance the housing and diffuser remain attached for easy maintenance. Electric gear on removable tray and quick connectors for connection to the power supply and the lamp holder.

Standard supply: safety knife switch. Power supply can be cut off in case of maintenance.



acc. 160 suspension connection

| | |
|--|-----------|
| 0.90 | 998090-00 |
| In stainless steel AISI 304. To apply Montecarlo-Iride on ropes or steel cables. | |



3170 Montecarlo - street optical

| | | CNRL | | Lamps (Ta=25°C) |
|-------------------|---------------|--------|-----------|-------------------------|
| wattage | colour | weight | code | Kelvin - ølm - Ra |
| SAP-T 150 | silv. + grap. | 10.00 | 326610-00 | 2000K - 17200lm - Ra 4 |
| SAP-T 250 | silv. + grap. | 11.00 | 326611-00 | 2000K - 33000lm - Ra 4 |
| CDO-TT 150 | silv. + grap. | 10.00 | 326612-00 | 2800K - 13500lm - Ra 1b |
| JM-T 150 | silv. + grap. | 10.00 | 326613-00 | 4000K - 14000lm |

N.B.: the lighting fixtures already supplied with holes for the installation of acc. 55 and for the power supply cable should be ordered with sub-code -0089.

Example installation with acc. 160