



Housing: injection moulded, vandal resistant, UV stabilised RAL 7035 grey polycarbonate, high mechanical resistance thanks to the stiffening ribs inside the structure.

Diffuser: injection moulded V2 self-extinguishing, UV stabilised clear polycarbonate, prismatic inside for better light control. The smooth outside finishing facilitates cleaning, essential to ensure maximum lighting efficiency at all times.

Reflector: in galvanised steel, previously stove-enamelled with UV-stabilised polyester resin.

Equipment: plug connector.

Efficiency, energy saving and security

Isolation class I.
Quick connection with plug and socket, no need to open the fixture.

Material compatible with food industry environments.
Mounting is also possible at low or very low temperatures (instant start and no flux decay).

For applications with direct exposure to sunlight, we recommend using Forma LED.



LED

Power factor: $\geq 0,9$
Luminous flux maintenance 80%:
50.000h (L80B20)
Photobiological safety class:
Exempt group.
Allowable ambient temperature :
-30°C to + 40°C



Flicker-Free: uniform light with no flicker for greater eye protection.



RADAR SENSOR (sub-code -19 at an extra price): is an automatic sensor that immediately sense the presence of people's movements and anyone walking past. When there is movement within the sensor's detection range, the light will remain ON. When no further movement is detected, the light will switch OFF after a pre-set time.



SELF-EXTINGUISHING

U.L.94 is a widely accepted USA flammability standard that classifies plastics according to how they burn. The **ECHO** fixture is made of **V2** self-extinguishing plastic material: burning stops within **25 seconds**.

GLOW WIRE TESTE

Glow wire tested at 850°C.

Project comparison: old system.

One-to-one fixture replacement without changing the existing electrical system

fixtures	ballast	room	LUX	Qty	P. tot (W)
927 ECHO 1600mm	electronic	40m x 20m H 3.5m	360	50	2650
2X58W	electronic	40m x 20m H 3.5m	324	50	5500
2X58W	magnetic.	40m x 20m H 3.5m	324	50	7000

927 Echo - energy consumption	
-52% compared to A2 2x58W electronic	-63% compared to 2x58W magnetic $\Delta t55$

Project comparison: new system

Save on energy and installation costs by reducing the number of lighting fixtures

fixtures	ballast	room	LUX	Qty	P. tot (W)
957 ECHO 1600mm	electronic	40m x 20m H 3.5m	340	40	2440
2X58W	electronic	40m x 20m H 3.5m	324	50	5500
2X58W	magnetic.	40m x 20m H 3.5m	324	50	7000

957 Echo - energy consumption	
-56% compared to A2 2x58W electronic	-65% compared to 2x58W magnetic $\Delta t55$

Save more with presence detectors = instant start!
continually turning lights ON and OFF does not damage LEDs like in fluorescent tubes

On request:

- Water-proof lighting fitting on request with stainless steel latches (690mm - 1300mm - 1600mm) to be ordered using **sub-code -0077** at an extra price.



Standard steel mounting bracket
enables quick and easy installation of the fixture to ceiling surfaces.

Standard spring loop
allows quick connection to any chain suspension system.

ALL LIGHT: no glare

The special surface finish of the diffuser allows light to escape, creating an "all light" effect. The fluted diffuser spreads light evenly without leaving dark areas.

Greater performance

The fixture is made with first-choice polycarbonate stabilised against UV light. It has been treated to eliminate glare without affecting performance.



Continuous line alignment

Perfect alignment of the lighting fittings is achieved using moulded guiding notches. Continuous electric line connection: a through-line wiring arrangement and socket/plug type connectors from the first of the last lighting fitting is required for this type of installation. (Lighting fitting supplied on request **sub-code -0072** at an extra price).



Lighting fitting art. 927-957

Lighting fitting with sub-code 0072. **Warning:** the last light fitting must be of the standard type

Installation with cable and lighting fitting with sub-code -0072

Continuous electric line connection using acc. 371 plug and acc. 372 socket, with the lighting fittings with sub-code -0072 at an extra price.



Acc. 372 socket

Acc. 371 plug

acc. 370 connector for ø20 tube	
grey	998040-00
For use with acc. 371-372 tube connector installation. 10 per pack.	



acc. 371 quick connector plug	
grey	998041-00
Always to be used for continuous line with wire. Cable gland with inlet cable 16A min. ø 9 max ø12 mm. 10 per pack.	



acc. 372 quick connector socket	
grey	998042-00
Always to be used for continuous line with wire. Cable gland with inlet cable 16A min. ø 9 max ø12 mm. 10 per pack.	



new



IP66IK08

LED Wattage (W)	Total power consumption (W)
10	11
18	20
24	26,5

927 Echo - single LED module							
wattage/W	colour	CLD CELL		CLD CELL-E		W	LED (Tj=25°C) K - ølm - CRI
		weight	L	code	code		
LED	grey	1.00	690	164700-00		10	4000K - 1680lm - CRI≥80
LED	grey	2.00	1300	164701-00	164701-07	18	4000K - 3020lm - CRI≥80
LED	grey	3.00	1600	164702-00	164702-07	24	4000K - 4030lm - CRI≥80

On request RADAR SENSOR (sub-code -19 at an extra price): is an automatic sensor that immediately sense the presence of people's movements and anyone walking past. When there is movement within the sensor's detection range, the light will remain ON. When no further movement is detected, the light will switch OFF after a pre-set time.

new

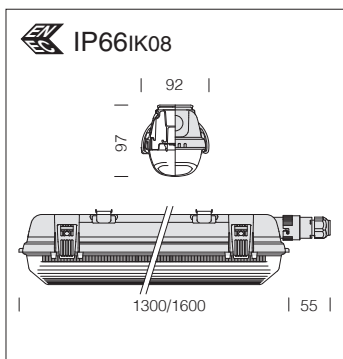


IP66IK08

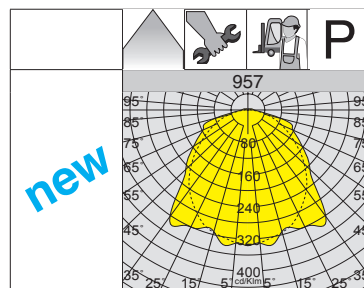
LED Wattage (W)	Total power consumption (W)
20	22
36	39,5
48	53

927 Echo - twin LED module							
wattage/W	colour	CLD CELL		CLD CELL-E		W	LED (Tj=25°C) K - ølm - CRI
		weight	L	code	code		
LED	grey	1.30	690	164703-00	164703-07	20	4000K - 3360lm - CRI≥80
LED	grey	2.30	1300	164704-00	164704-07	36	4000K - 6050lm - CRI≥80
LED	grey	3.30	1600	164705-00	164705-07	48	4000K - 8060lm - CRI≥80

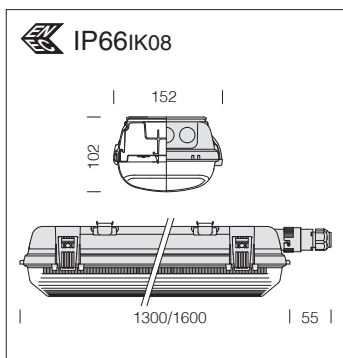
On request RADAR SENSOR (sub-code -19 at an extra price): is an automatic sensor that immediately sense the presence of people's movements and anyone walking past. When there is movement within the sensor's detection range, the light will remain ON. When no further movement is detected, the light will switch OFF after a pre-set time.



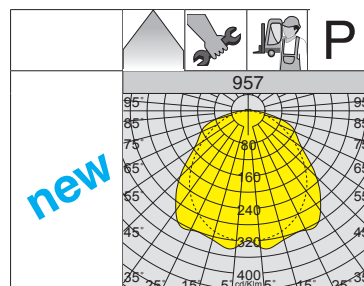
LED Wattage (W)	Total power consumption (W)
21	24
28	31



957 Echo - single LED module							
		CLD CELL		CLD CELL-E		LED (Tj=25°C)	
wattage/W	colour	weight	L	code	code	K - ølm - CRI	
LED	grey	2.00	1300	164711-00	164711-07	21	4000K - 3525lm - CRI≥80
LED	grey	3.00	1600	164712-00	164712-07	28	4000K - 4700lm - CRI≥80

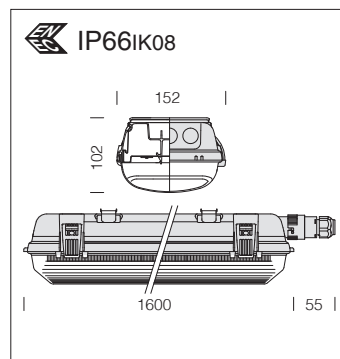
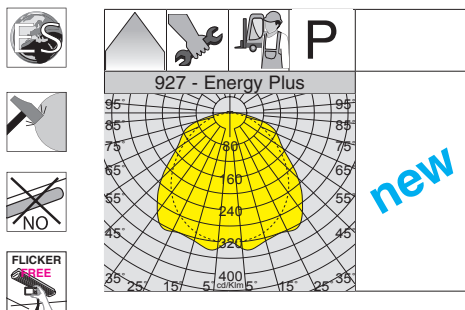


LED Wattage (W)	Total power consumption (W)
42	46
56	61
65	72



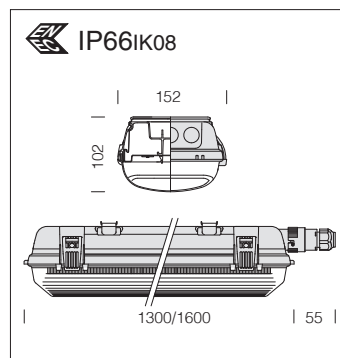
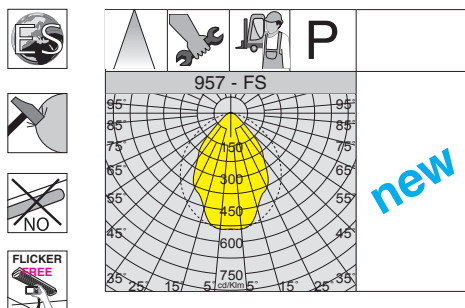
957 Echo - module LED double							
		CLD CELL		CLD CELL-E		LED (Tj=25°C)	
wattage/W	colour	weight	L	code	code	K - ølm - CRI	
LED	grey	2.30	1300	164714-00	164714-07	42	4000K - 7060lm - CRI≥80
LED	grey	3.30	1600	164715-00	164715-07	56	4000K - 9400lm - CRI≥80
LED	grey	3.30	1600	164717-00	164717-07	65	4000K - 11200lm - CRI≥80

WATER-PROOF



LED Wattage (W)	Total power consumption (W)
55	60

927 Echo Energy Plus - twin LED module						
		CLD CELL			LED (Tj=25°C)	
wattage/W	colour	weight	L	code	W	K - ølm - CRI
LED	grey	3.30	1600	164706-00	55	4000K - 8700lm - CRI≥80

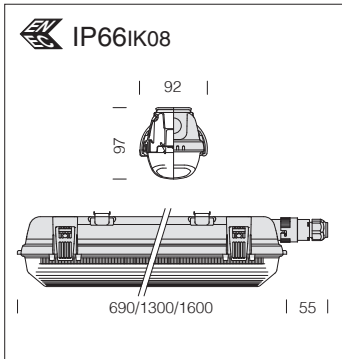


LED Wattage (W)	Total power consumption (W)
36	39,5
48	53

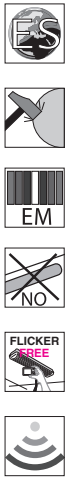
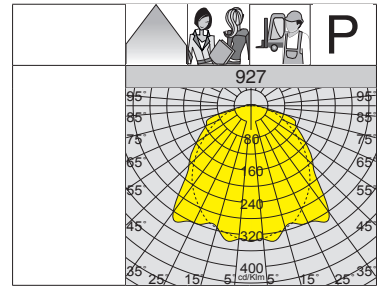
927 Echo FS - twin LED module						
		CLD CELL			LED (Tj=25°C)	
wattage/W	colour	weight	L	code	W	K - ølm - CRI
LED	grey	2.30	1300	164704-22	36	4000K - 6050lm - CRI≥80
LED	grey	3.30	1600	164705-22	48	4000K - 8060lm - CRI≥80

957 Echo FS - twin LED module						
		CLD CELL			LED (Tj=25°C)	
wattage/W	colour	weight	L	code	W	K - ølm - CRI
LED	grey	2.30	1300	164714-22	42	4000K - 7060lm - CRI≥80
LED	grey	3.30	1600	164715-22	56	4000K - 9400lm - CRI≥80

LED Wattage (W)	Total power consumption (W)
42	46
56	61

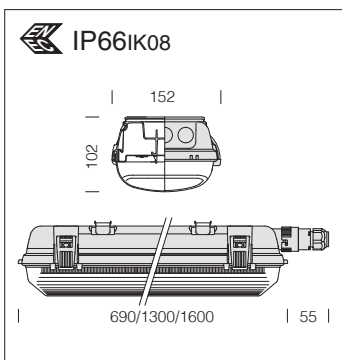


LED Wattage (W)	Total power consumption (W)
10	11
18	20
24	26,5

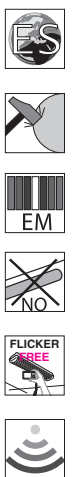
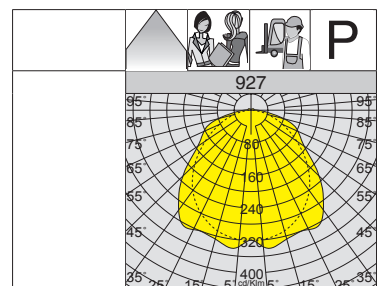


927 Echo - 3000K/6500K single LED module							
wattage/W	colour	CLD CELL			CLD CELL-E	W	LED (Tj=25°C)
		weight	L	code	code		K - ølm - CRI
LED	grey	1.00	690	164700-39		10	3000K - 1530lm - CRI≥80
LED	grey	2.00	1300	164701-39		18	3000K - 2754lm - CRI≥80
LED	grey	3.00	1600	164702-39		24	3000K - 3672lm - CRI≥80
LED	grey	1.00	690	164700-0083		10	6500K - 1680lm - CRI≥80
LED	grey	2.00	1300	164701-0083	164701-0783	18	6500K - 3020lm - CRI≥80
LED	grey	3.00	1600	164702-0083	164702-0783	24	6500K - 4030lm - CRI≥80

On request RADAR SENSOR (sub-code -19 at an extra price): is an automatic sensor that immediately sense the presence of people's movements and anyone walking past. When there is movement within the sensor's detection range, the light will remain ON. When no further movement is detected, the light will switch OFF after a pre-set time.



LED Wattage (W)	Total power consumption (W)
20	22
36	39,5
48	53



927 Echo - 3000K/6500K twin LED module							
wattage/W	colour	CLD CELL			CLD CELL-E	W	LED (Tj=25°C)
		weight	L	code	code		K - ølm - CRI
LED	grey	1.30	690	164703-39		20	3000K - 3060lm - CRI≥80
LED	grey	2.30	1300	164704-39		36	3000K - 5500lm - CRI≥80
LED	grey	3.30	1600	164705-39		48	3000K - 7340lm - CRI≥80
LED	grey	1.30	690	164703-0083	164703-0783	20	6500K - 3360lm - CRI≥80
LED	grey	2.30	1300	164704-0083	164704-0783	36	6500K - 6050lm - CRI≥80
LED	grey	3.30	1600	164705-0083	164705-0783	48	6500K - 8060lm - CRI≥80

On request RADAR SENSOR (sub-code -19 at an extra price): is an automatic sensor that immediately sense the presence of people's movements and anyone walking past. When there is movement within the sensor's detection range, the light will remain ON. When no further movement is detected, the light will switch OFF after a pre-set time.