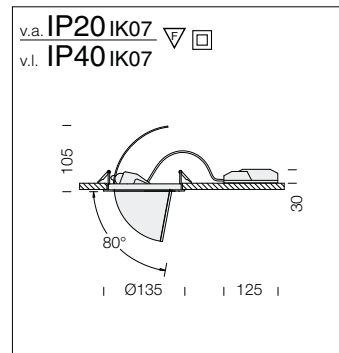


CRI 92



**Housing:** Adjustable angle, made of die-cast aluminium.

**Reflector:** high-efficiency prismatic and polished aluminium.

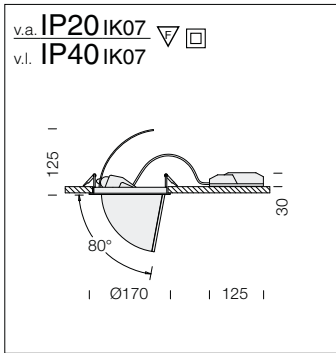
**LED:** Luminous flux maintenance L70B50: 50.000h. Power factor >0.95



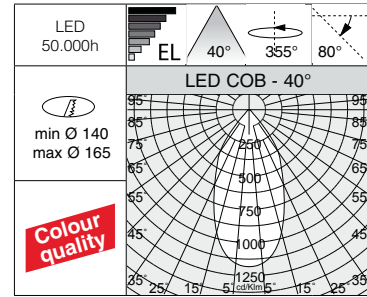
RG0

new

Luthor Small - Professional					
		CLD CELL		LED (Ta=25°C)	
wattage	colour	weight	code	W	K - ølm - CRI - degrees
LED COB 12W	white	1.00	22087818-00	15	3000K - 1100lm - CRI 92 - 40°
	m. silver		22087878-00		

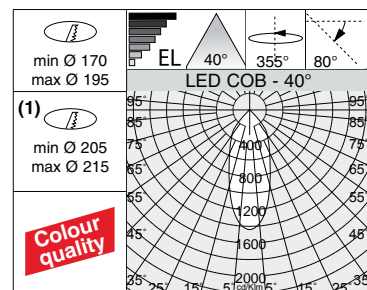
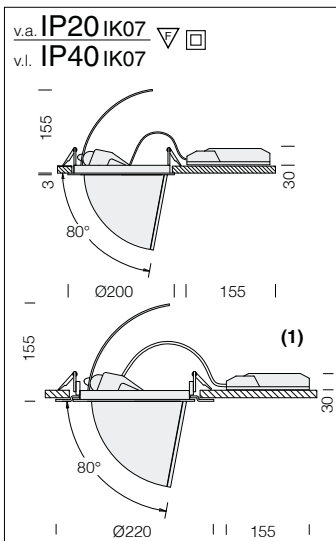


**Housing:** Adjustable angle, made of die-cast aluminium.  
**Reflector:** high-efficiency prismatic and polished aluminium.  
**LED:** Luminous flux maintenance L70B50: 50.000h.  
 Power factor >0.95



- 
- 
- 
- 
- 
- 
- 

Luthor Medium - Professional						
		CLD CELL		W	LED (Ta=25°C)	
wattage	colour	weight	code		K - ølm - CRI - degrees	
LED COB 18W	white	1.00	22087816-00	20	3000K - 2000lm - CRI 92 - 40°	
	m. silver		22087876-00			



- 
- 
- 
- 
- 
- 
- 

Luthor Big - Professional						
		CLD CELL		CLD CELL - with wide ring (1)	W	LED (Ta=25°C)
wattage	colour	weight	code	code		K - ølm - CRI - degrees
LED COB 26W	white	1.40	22087815-00	22087815-0049	30	3000K - 3000lm - CRI 92 - 40°
	m. silver		22087875-00	22087875-0049		3000K - 3000lm - CRI 92 - 20°
LED COB 26W	white	1.40	22087814-00	22087814-0049	30	3000K - 3000lm - CRI 92 - 20°
	m. silver		22087874-00	22087874-0049		4000K - 3000lm - CRI 92 - 40°
LED COB 26W	white	1.40	22087817-00	22087817-0049	30	4000K - 3000lm - CRI 92 - 40°
	m. silver		22087877-00	22087877-0049		
LED COB 36W	white	1.40	22088810-00	22088810-0049	40	3000K - 4500lm - CRI 92 - 40°
	m. silver		22088870-00	22088870-0049		4000K - 5180lm - CRI 92 - 40°
LED COB 36W	white	1.40	22088811-00	22088811-0049	40	3000K - 4500lm - CRI 92 - 40°
	m. silver		22088871-00	22088871-0049		4000K - 5180lm - CRI 92 - 40°