



Upgrading the lighting system of a store can significantly improve the management of the store itself. In fact, LEDs ensure energy savings, long life and easy maintenance. These are ideal requirements for lighting fixtures that need to stay on all day.

**Housing-reflector:** in V2 shatterproof, self-extinguishing polycarbonate, coated with high-performance aluminium powder and equipped with anti-reflection and anti-glare optics. Perimeter border on the false ceiling has white or aluminium coloured photogravure finishing. Support bracket in galvanised steel with housings for fastening springs made in galvanised steel wire for false ceiling mounting. Shielding at 65°.

**Standard:** manufactured pursuant to EN 60598-1-CEI 34-21 and with a degree of protection pursuant to EN 60529

#### Benefits

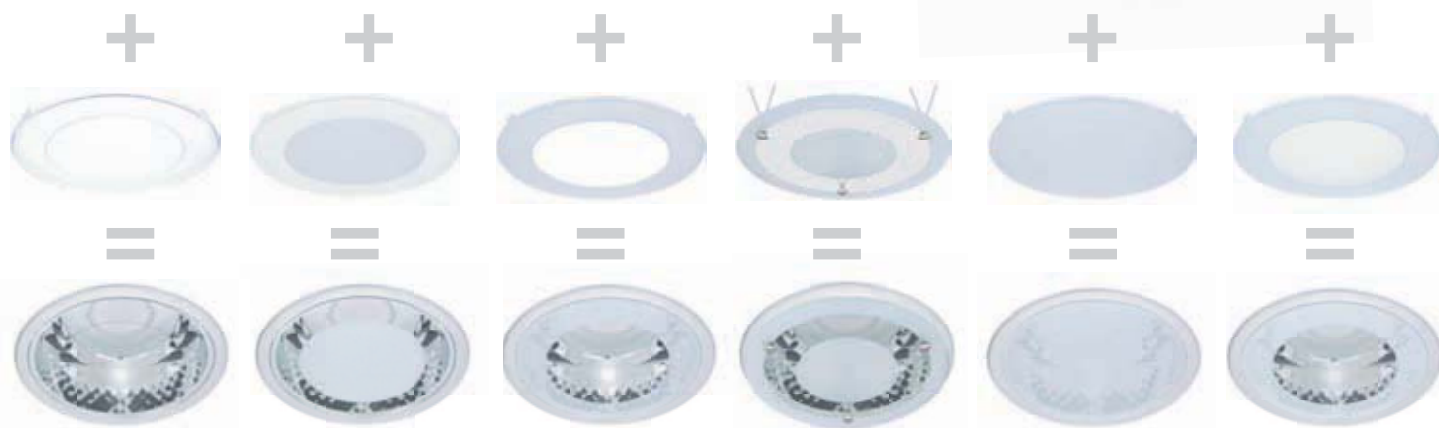
- No maintenance
- Selection of different colour temperatures
- Easy installation
- Photobiological risk: Exempt Group
- Low initial investment
- High-efficiency light sources.
- Luminous flux maintenance L70B50: 50.000h.  
Power factor >0.95



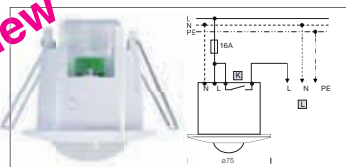
FIXED RECESSED  
DOWNLIGHTS







new



Presence and light detector	
white	22099059-00
Ceiling presence and light detector.	



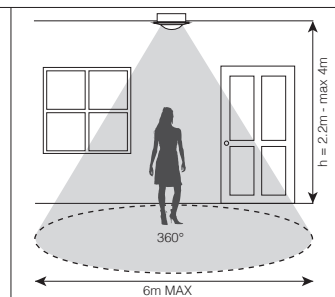
View from above



Best sensitivity

Reduced sensitivity

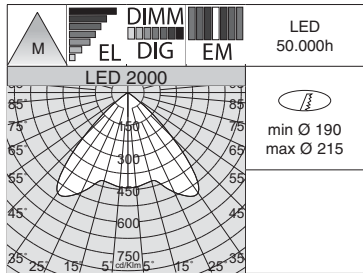
The sensor should be mounted 2.2 - 4 m above the area to be scanned.  
For more info see chapter: "Dimmable fixture control kit"



Classification of UGR values by applications		
<b>UGR</b>	≤ 16	Very demanding applications (technical drawings)
	≤ 19	Offices and schools (reading, writing, business meetings, computer work)
	≤ 22	Industrial applications, craftsmen
	> 28	High glare

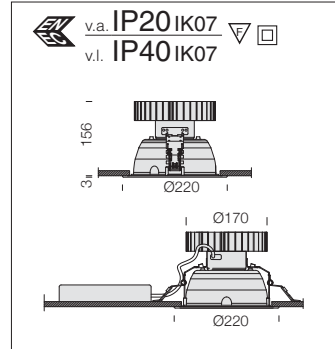
The UGR (unified glare rating) is an international unified measure developed by the CIE (Commission Internationale de l'Eclairage) to assess the direct glare generated by a lighting system. The European standard regulating the lighting of indoor work places

(UNI-EN 12464-1) recommends a specific UGR value for different applications ranging between **10 and 30; the lower the UGR value, the lower the glare.** The exact value of this index differs by project type because it depends on the position of the luminaires, room characteristics (dimensions, reflections) and on the point of observation of viewers.



**LED:** Luminous flux maintenance L70B50: 50.000h. Power factor >0.95

**CRI 90**



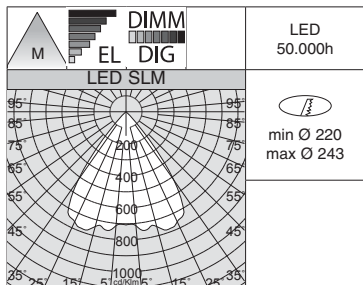
**Dark light reflector:** V2 self-extinguishing polycarbonate; metalized aluminium powder coated through a C.V.D. hard-vacuum process for greater light control and efficiency.

**Office 1 - DARK**

wattage	colour	CLD CELL	CLD CELL-E	CLD CELLD-DIG (Dali)	CLD CELLD-DIG-E (Dali)	W	LED (Ta=25°C)
		code	code	code	code		K - ølm - CRI
LED 2000 21W	alum.	22152371-00	22152371-09	22152371-1241	22152371-9441	23	3000K - 2000lm - CRI 80
LED 2000 19W		22152375-00	22152375-09	22152375-1241	22152375-9441	21	4000K - 2000lm - CRI 80
LED 3000 32W		22152372-00	22152372-09	22152372-1241	22152372-9441	35	3000K - 3000lm - <b>CRI 90</b>
LED 3000 29W		22152374-00	22152374-09	22152374-1241	22152374-9441	32	4000K - 3000lm - CRI 80

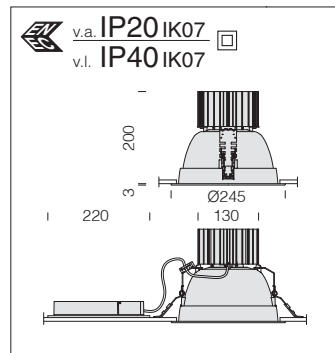
**Office 1 - DARK - white rim**

wattage	colour	CLD CELL	CLD CELL-E	CLD CELLD-DIG (Dali)	CLD CELLD-DIG-E (Dali)	W	LED (Ta=25°C)
		code	code	code	code		K - ølm - CRI
LED 2000 21W	white	22152311-00	22152311-09	22152311-1241	22152311-9441	23	3000K - 2000lm - CRI 80
LED 3000 32W		22152312-00	22152312-09	22152312-1241	22152312-9441	35	3000K - 3000lm - <b>CRI 90</b>



**LED:** Luminous flux maintenance L70B50: 50.000h. Power factor >0.95

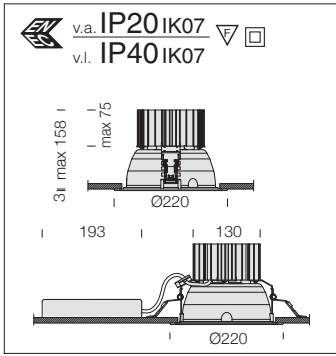
**UGR<19**



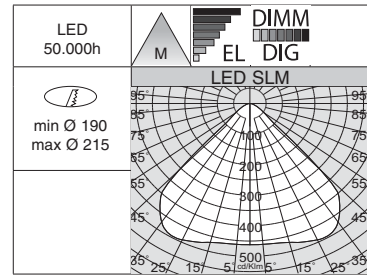
**Dark light reflector:** V2 self-extinguishing polycarbonate; metalized aluminium powder coated through a C.V.D. hard-vacuum process for greater light control and efficiency.

**Office 2 - DARK**

wattage	colour	weight	CLD CELL	CLD CELLD-DIG (Dali)	W	LED (Ta=25°C)
			code	code		K - ølm - CRI
SLM 3000 Gen IV 25W	aluminium	1,20	22152572-00	22152572-1241	28	4000K - 3000lm - CRI 80
SLM 4500 Gen IV 36W			22152573-00	22152573-1241	40	4000K - 4500lm - CRI 80
LED COB 25W			22152570-00		28	4000K - 3000lm - <b>CRI 92</b>
LED COB 32W			22152571-00		36	4000K - 4800lm - CRI 80
LED COB 38W			22152574-00		42	4000K - 5450lm - CRI 80
LED COB CREE 52W			22152575-00		58	4000K - 6800lm - CRI 80
LED COB CREE 67W			22152811-00		73	4000K - 8200lm - CRI 80



**CRI 92**

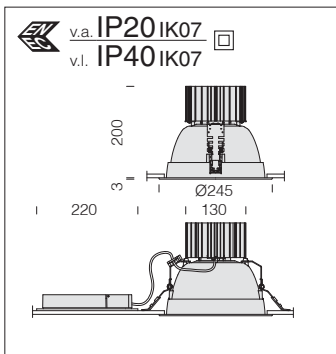


**LED:** Luminous flux maintenance L70B50: 50.000h.  
Power factor >0.95

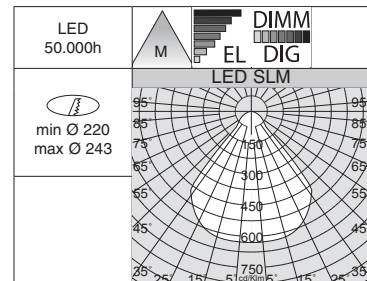
**Reflector:** V2 self-extinguishing polycarbonate; matt aluminium powder coated through a C.V.D. hard-vacuum process for greater light control and efficiency.

**Office 1 - MATT**

wattage	colour	weight	CLD CELL code	CLD CELLD-DIG (Dali) code	W	LED (Ta=25°C) K - ølm - CRI
LED COB 20W	matt	1,10	22152415-00	22152415-1241	22	3000K - 2500lm - CRI 80
LED COB 25W			22152414-00	22152414-1241	28	4000K - 2500lm - CRI 80
LED COB Sharp white 33W			22152413-00	22152413-1241	35	3000K - 3000lm - <b>CRI 92</b>
LED 3000 32W			22152410-00	22152410-1241	35	4000K - 3000lm - <b>CRI 92</b>
SLM 4500 GEN IV 36W			22152412-00		40	3500K - 3400lm - <b>CRI 92</b>
LED COB 38W			22152961-00		35	3000K - 3000lm - <b>CRI 90</b>
LED COB CREE 67W			22152416-00		40	3000K - 4500lm - CRI 80
			22152417-00		40	4000K - 4500lm - CRI 80
			22152411-00		42	3000K - 5450lm - CRI 80
	22152960-00		73	4000K - 8200lm - CRI 80		



**CRI 92**  
**UGR<19**



**LED:** Luminous flux maintenance L70B50: 50.000h.  
Power factor >0.95



**Reflector:** V2 self-extinguishing polycarbonate; matt aluminium powder coated through a C.V.D. hard-vacuum process for greater light control and efficiency.

**Office 2 - MATT**

wattage	colour	weight	CLD CELL code	CLD CELLD-DIG (Dali) code	W	LED (Ta=25°C) K - ølm - CRI
SLM 3000 Gen IV 25W	matt	1,20	22152512-00	22152512-1241	28	3000K - 3000lm - CRI 80
SLM 4500 Gen IV 36W			22152513-00	22152513-1241	40	3000K - 4500lm - CRI 80
LED COB Sharp white 33W			22152515-00		35	3500K - 3400lm - <b>CRI 92</b>
LED COB 25W			22152517-00		28	3000K - 3000lm - <b>CRI 92</b>
LED COB 32W			22152519-00		36	3000K - 4800lm - CRI 80
LED COB CREE 67W			22152810-00		73	4000K - 8200lm - CRI 80

**Office 2 - MATT - white rim**

wattage	colour	weight	CLD CELL code	W	LED (Ta=25°C) K - ølm - CRI
LED COB 32W	white	1,20	22152518-00	36	4000K - 4800lm - CRI 80



**new**

**HOTEL**  
★★★

**RG0**

**new**



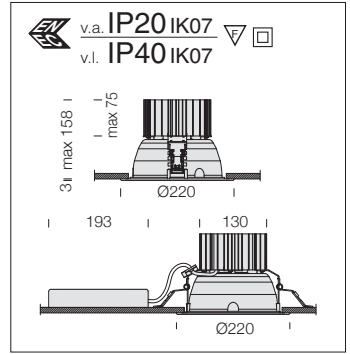


M	DIMM	min Ø 190 max Ø 215	LED 50.000h
	DIG		



**LED:** Luminous flux maintenance L70B50: 50.000h.  
Power factor >0.95

**CRI 92**



**Reflector:** V2 self-extinguishing polycarbonate; matt aluminium powder coated through a C.V.D. hard-vacuum process for greater light control and efficiency.



Office 1 - TOTAL WHITE						
wattage	colour	weight	CLD CELL code	CLD CELLD-DIG (Dali) code	W	LED (Ta=25°C) K - ølm - CRI
LED COB 20W	white	1,10	22152715-00	22152715-1241	22	3000K - 2500lm - CRI 80
			22152714-00	22152714-1241		
LED COB 25W			22152713-00	22152713-1241	28	3000K - 3000lm - CRI 92
			22152710-00	22152710-1241		
LED COB Sharp white 33W			22152712-00		35	3500K - 3400lm - CRI 92
LED 3000 32W			22152718-00			
SLM 4500 GEN IV 36W			22152716-00		40	3000K - 4500lm - CRI 80
			22152717-00			
LED COB 38W			22152711-00		42	3000K - 5450lm - CRI 80
LED COB CREE 67W			22152910-00			



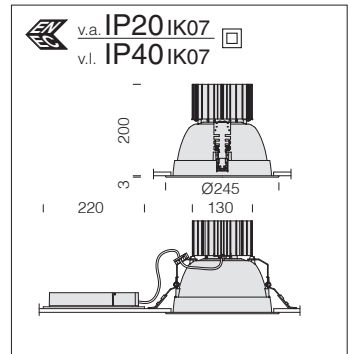
M	DIMM	min Ø 220 max Ø 243	LED 50.000h
	DIG		



Supplied with sun shielding and anti-glare cover.

**LED:** Luminous flux maintenance L70B50: 50.000h.  
Power factor >0.95

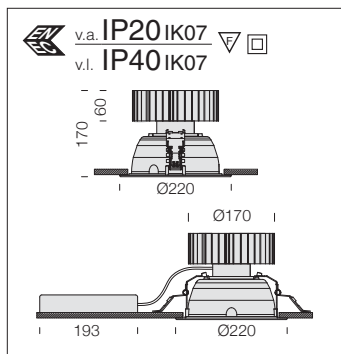
**CRI 92**



**Reflector:** V2 self-extinguishing polycarbonate; matt aluminium powder coated through a C.V.D. hard-vacuum process for greater light control and efficiency.



Office 2 - TOTAL WHITE							
wattage	colour	weight	CLD CELL code	CLD CELLD-DIG (Dali) code	W	LED (Ta=25°C) K - ølm - CRI	
SLM 3000 Gen IV 25W	white	1,20	22152610-00	22152610-1241	28	3000K - 3000lm - CRI 80	
SLM 4500 Gen IV 36W			22152611-00	22152611-1241		40	3000K - 4500lm - CRI 80
LED COB Sharp white 33W			22152612-00		35		3500K - 3400lm - CRI 92
LED COB 25W			22152613-00			28	3000K - 3000lm - CRI 92
LED COB 32W			22152614-00		36		3000K - 4800lm - CRI 80
LED COB CREE 67W			22152615-00				73



**CRI 90**



LED 50.000h

M

EL

min Ø 190  
max Ø 215

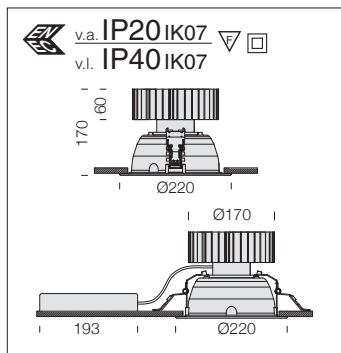


**Reflector:** V2 self-extinguishing polycarbonate; matt aluminium powder coated through a C.V.D. hard-vacuum process for greater light control and efficiency.

**LED:** Luminous flux maintenance L70B50: 50.000h.  
Power factor >0.95

Office 1 - TOTAL WHITE - LED BULB					
		CLD CELL		LED (Ta=25°C)	
wattage	colour	weight	code	W	K - ølm - CRI
LED BULB 73W	white	1,10	22153018-00	80	4000K - 6000lm - CRI 90

- 
- 
- 
- 
- 
- 
- 
- 



**CRI 90**



LED 50.000h

M

EL

min Ø 190  
max Ø 215



**Reflector:** V2 self-extinguishing polycarbonate; matt aluminium powder coated through a C.V.D. hard-vacuum process for greater light control and efficiency.

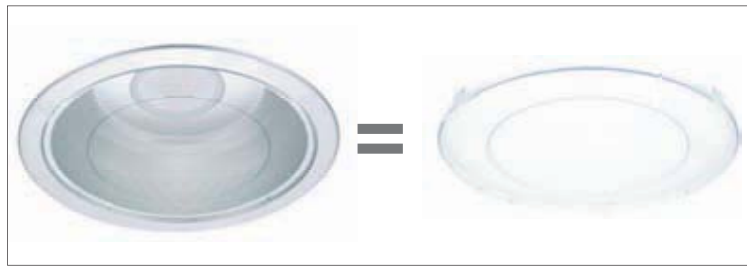
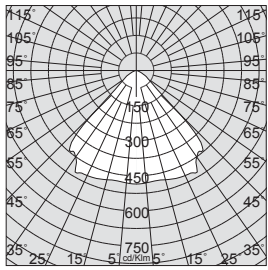
**LED:** Luminous flux maintenance L70B50: 50.000h.  
Power factor >0.95

Office 1 - MATT - LED BULB					
		CLD CELL		LED (Ta=25°C)	
wattage	colour	weight	code	W	K - ølm - CRI
LED BULB 73W	matt	1,10	22153019-00	80	4000K - 6000lm - CRI 90

Office 1 - DARK - LED BULB					
		CLD CELL		LED (Ta=25°C)	
wattage	colour	weight	code	W	K - ølm - CRI
LED BULB 73W	aluminium	1,10	22153070-00	80	4000K - 6000lm - CRI 90

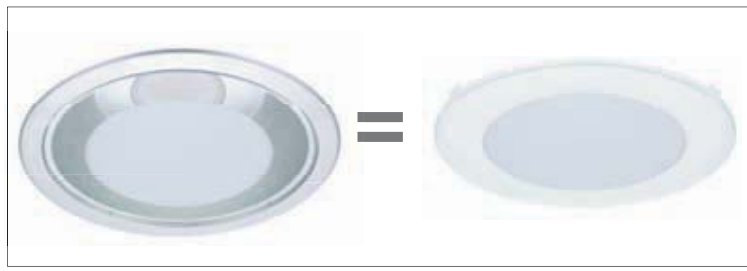
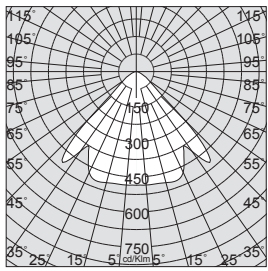
- 
- 
- 
- 
- 
- 
- 
-





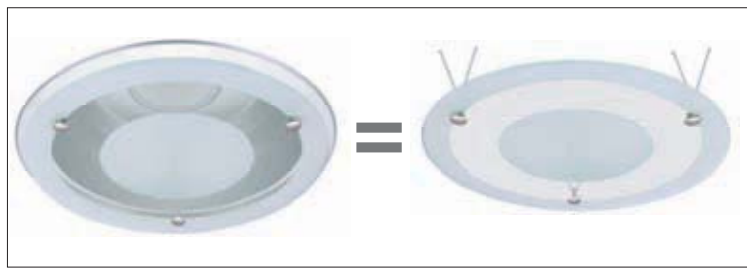
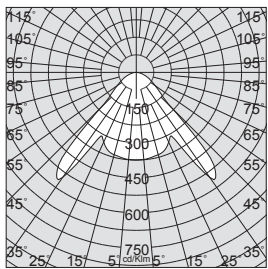
IP44 v.l. IK08

**Clear diffuser**  
22092210-00  
In polycarbonate.



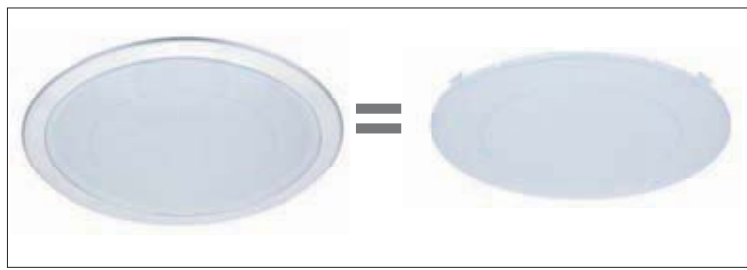
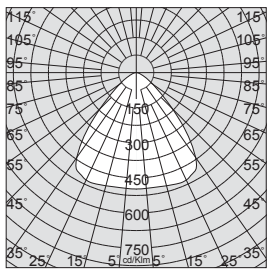
IP44 v.l. IK08

**Internal silk-screen printed diffuser**  
22092213-00  
In polycarbonate, silk-screen printed in the middle, anti-glare.



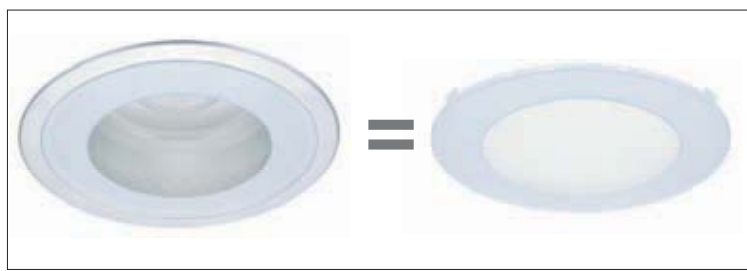
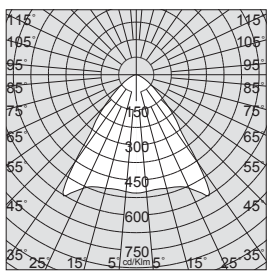
IP23 v.l. IK06

**Silk-screen printed glass**  
22092215-00



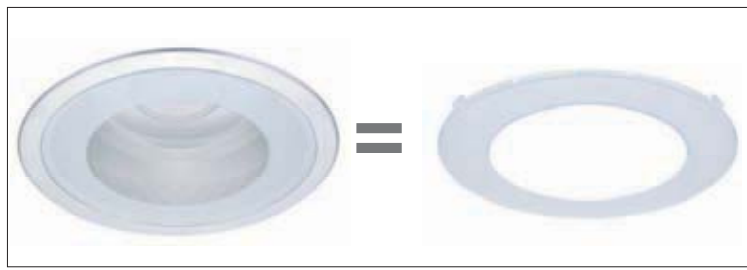
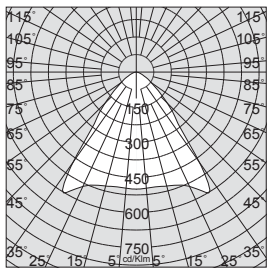
IP44 v.l. IK08

**Silk-screen printed diffuser**  
22092211-00  
In anti-glare silk-screen printed polycarbonate.



IP44 v.l. IK08

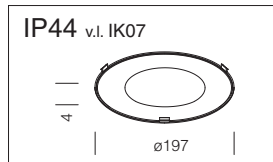
**External silk-screen printed diffuser**  
22092212-00  
In polycarbonate, silk-screen printed along the edges for side light control.



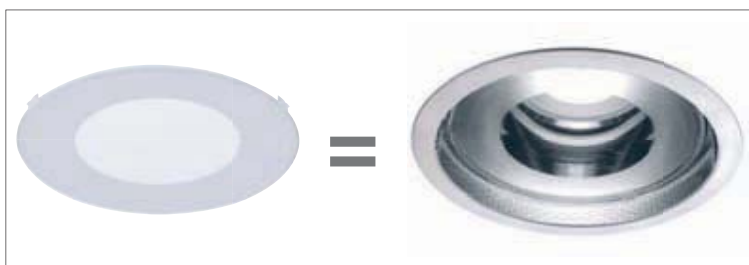
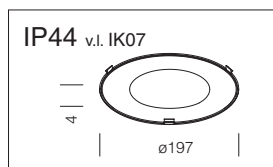
IP23 v.l. IK08

**Silk-screen printed diffuser with central hole**  
22092214-00  
In polycarbonate, silk-screen printed along the edges, central hole for decorative effect and to allow air circulation.

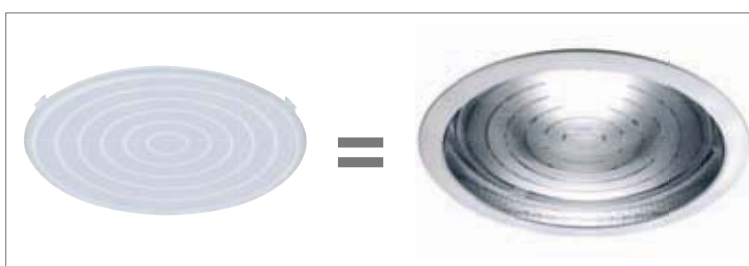
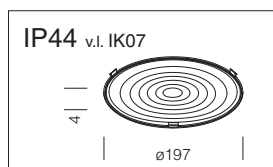
Internal silk-screen printed diffuser	
polycarb.	22091863-00
Internal: silk-screen printed in the middle, anti-glare.	



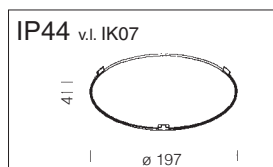
External silk-screen printed diffuser	
polycarb.	22091864-00
External: silk-screen printed along the edges for side light control.	



Silk-screen diffuser	
polycarb.	22091862-00
Polycarbonate diffuser with concentric circles.	



Office 2 transparent diffuser	
polycarb.	22091860-00
When used Office 2 becomes IP44.	



Office opal	
polycarb.	22091861-00
When used Office 2 becomes IP44.	

