



With Slim, LED lighting makes a step forwards.

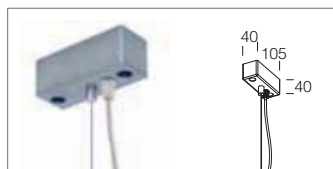
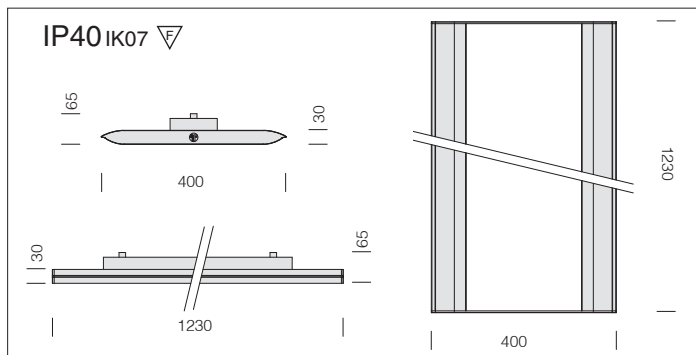
With a simple form, which is the result of a complex design, Slim is an object full of technological innovation designed by Fosnova (Disano illuminazione). It has the typical appeal of new design trends and the quality of industrial products: small, simple-to-use, versatile, and with technologically advanced performance.

Slim takes full advantage of the LED technology with a highly innovative product: the particular location of LEDs within the fixture generates, through its complex optics design, a reflected light capable of ensuring the maximum level of comfort and functionality.



Slim 3 - Suspended lamp with LEDs with ribbed shield							
wattage		colour	L (mm)	CLD CELL-D (1-10V)		LED (Ta=25°C)	
LED		m. silver	1230	6,70	code	W	
		black			22182872-00		36
		m. silver			22182832-00		
		black			22182873-00		
			22182833-00				
					LED (Ta=25°C)		
					K - lm - CRI		
					4000K - 3529lm - CRI 83		
					3000K - 3450lm - CRI 83		

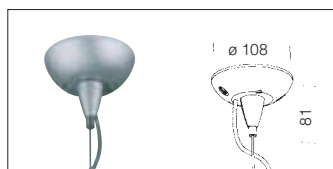
Complete with ribbed shield. On request: DIMM-DALI.



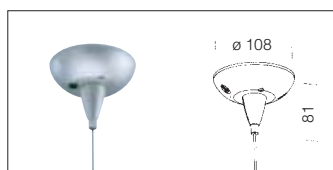
Powered suspension with wire	
100 cm	22003174-00
Supplied with steel wire and millimetre adjustment device and power cord. Max loading 20Kg.	



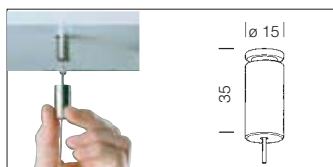
Suspension with wire	
100 cm	22003176-00
Completed with steel wire and millimetre adjustment device. Max load: 20 kg.	



Powered suspension	
100 cm	22003173-00
Supplied with steel wire, millimetre adjustment device, and power cord. Max load: 20 Kg. Length 100 cm	



Suspension	
100 cm	22003171-00
Supplied with steel wire and millimetre adjustment device. Max load: 20 kg.	



Simple suspension	
galvanised	22003166-00
Supplied with steel wire (l=1,75m) and millimetre adjustment device. Max load: 20 kg.	