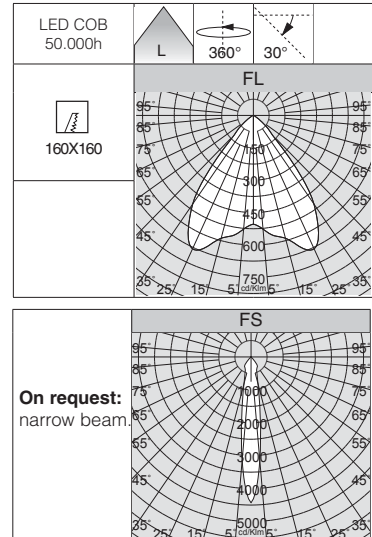
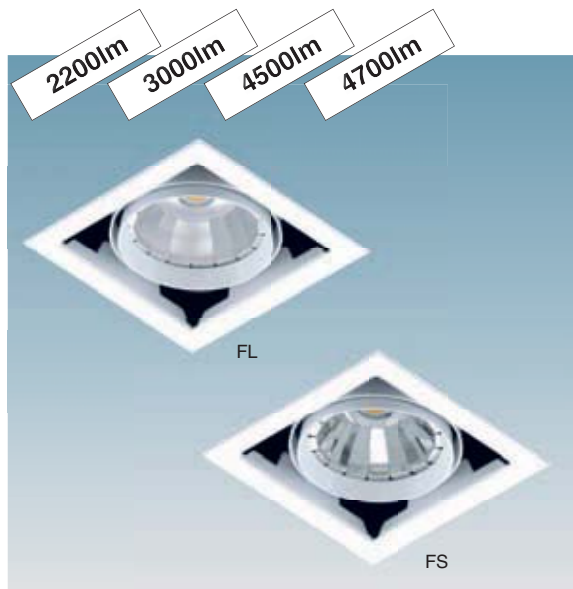


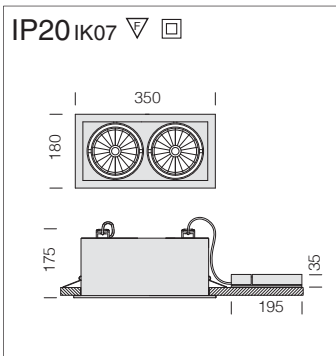
**Housing:** Made of sheet steel.

**Equipment:** Complete with springs which guarantee perfect attachment to suspended ceiling from 1mm to 25 mm thick.

**LED:** Luminous flux maintenance L70B50: 50.000h. Power factor >0.95



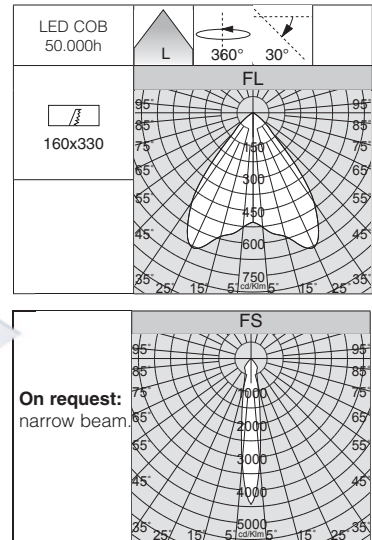
Store 1					
		CLD CELL		LED (Ta=25°C)	
wattage	colour	weight	code	W	K - ølm - CRI
LED COB 17W	white	1,10	22186210-00	19	3000K - 2200lm - CRI 80
LED COB 25W			22186310-00	28	3000K - 3000lm - CRI 80
LED COB 36W			22186613-00	40	3000K - 4500lm - CRI 80
LED COB 36W			22186614-00	40	4000K - 4700lm - CRI 80



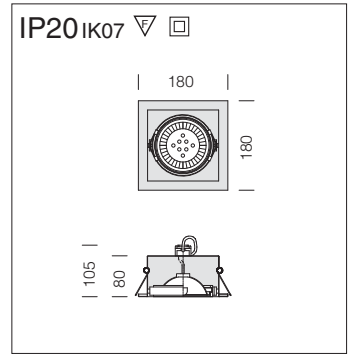
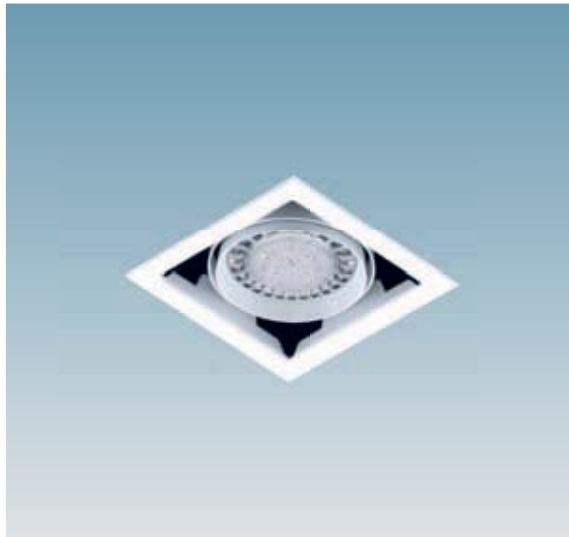
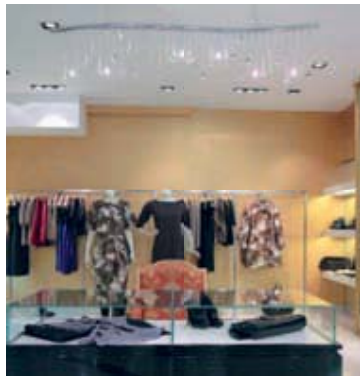
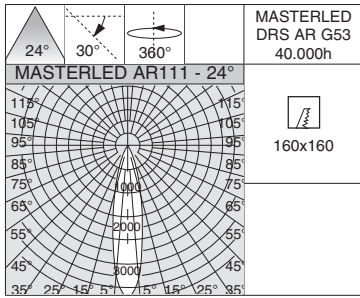
**Housing:** Made of sheet steel.

**Equipment:** Complete with springs which guarantee perfect attachment to suspended ceiling from 1mm to 25 mm thick.

**LED:** Luminous flux maintenance L70B50: 50.000h. Power factor >0.95

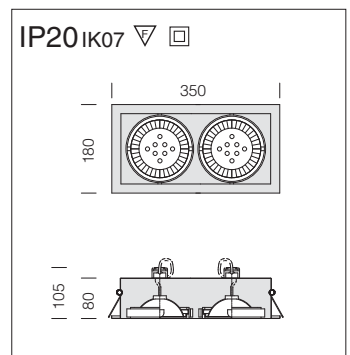
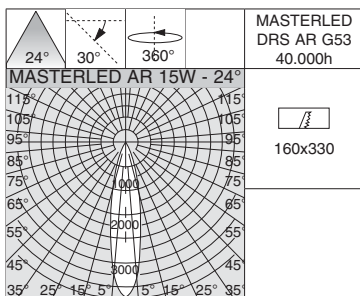


Store 2					
		CLD CELL		LED (Ta=25°C)	
wattage	colour	weight	code	W	K - ølm - CRI
LED COB 2x17W	white	2,20	22186410-00	38	3000K - 2x2200lm - CRI 80
LED COB 2x25W			22186510-00	56	3000K - 2x3000lm - CRI 80
LED COB 2x36W			22186713-00	80	3000K - 2x4500lm - CRI 80
LED COB 2x36W			22186714-00	80	4000K - 2x4700lm - CRI 80



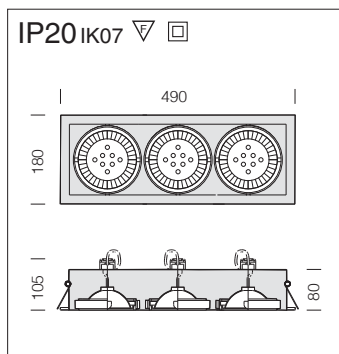
**LED:** Luminous flux maintenance L70B50: 40.000h.  
Power factor >0.9

Store 1 - MASTERLED AR111					
		CLD CELL		LED (Ta=25°C)	
wattage	colour	weight	code	W	K - cd - ølm - CRI - degrees
MASTERLED AR111 15W	white	0,90	22180510-00	16	3000K - 4240cd - 860lm - CRI 82 - 24°
	m. silver		22180570-00		

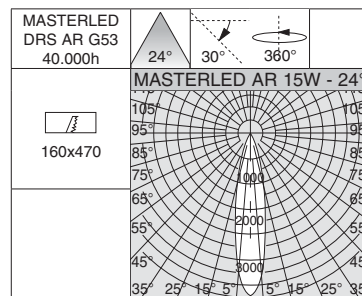
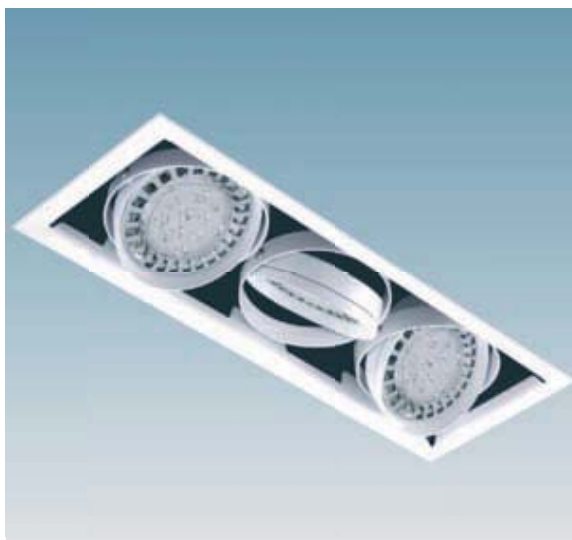


**LED:** Luminous flux maintenance L70B50: 40.000hh.  
Power factor >0.9

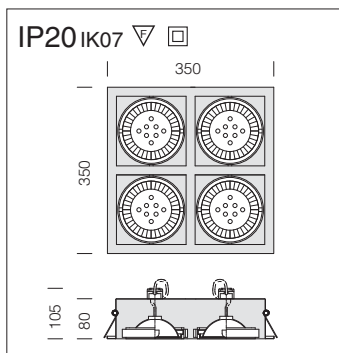
Store 2 - MASTERLED AR111					
		CLD CELL		LED (Ta=25°C)	
wattage	colour	weight	code	W	K - cd - ølm - CRI - degrees
MASTERLED AR111 2x15W	white	1,50	22180511-00	32	3000K - 2x4240cd - 2x860lm - CRI 82 - 24°
	m. silver		22180571-00		



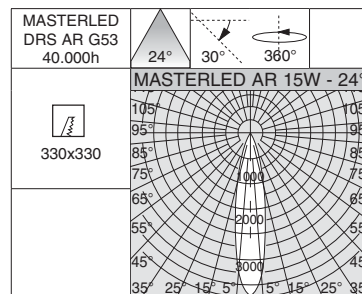
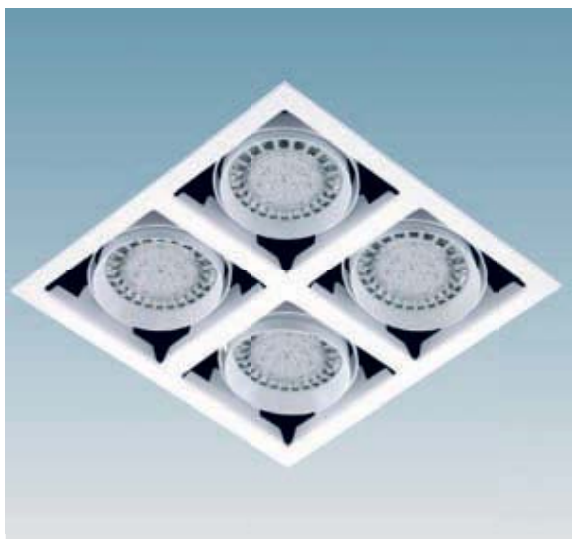
**LED:** Luminous flux maintenance L70B50: 40.000h.  
Power factor >0.9



Store 3 - MASTERLED AR111					
		CLD CELL		LED (Ta=25°C)	
wattage	colour	weight	code	W	K - cd - ølm - CRI - degrees
MASTERLED AR111 3x15W	white	2,10	22180512-00	48	3000K - 3x4240cd - 3x860lm - CRI 82 - 24°
	s. silver		22180572-00		



**LED:** Luminous flux maintenance L70B50: 40.000h.  
Power factor >0.95



Store 4 - MASTERLED AR111					
		CLD CELL		LED (Ta=25°C)	
wattage	colour	weight	code	W	K - cd - ølm - CRI - degrees
MASTERLED AR111 4x15W	white	3,10	22180513-00	64	3000K - 4x4240cd - 4x860lm - CRI 82 - 24°

