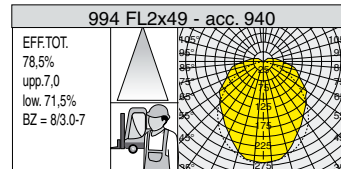
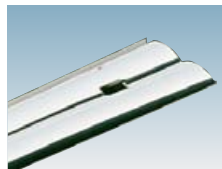
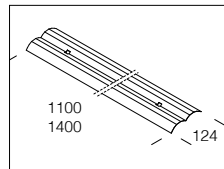


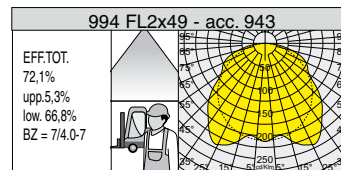
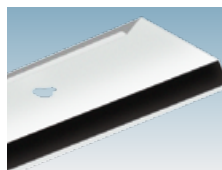
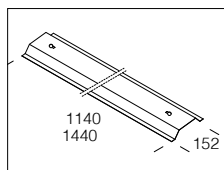


<b>acc. 940 narrow beam reflector</b>	
<b>2x36/28</b>	998052-00
<b>2x58/49</b>	998053-00
Polished aluminium 99.85 narrow-beam reflector.	



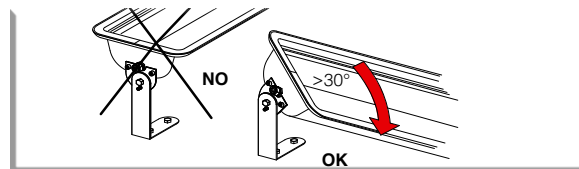
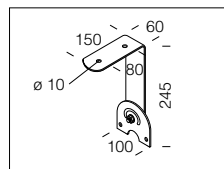
Recommended for premises over 4 metres high, or where intensive light is required. Total increase in efficiency + 4.8%. Efficiency on the lower hemisphere between 0°-45° + 36%.

<b>acc. 943 wide beam reflector</b>	
<b>2x36/54</b>	998112-00
<b>2x58/49</b>	998113-00
Polished aluminium 99.85 wide-beam reflector.	

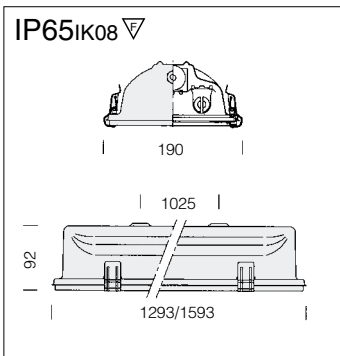


Recommended for premises approximately 3-6 metres high. Total increase in efficiency + 7%. Efficiency on the lower hemisphere between 0°-45° + 25%.

<b>acc. 996 adjustable bracket</b>	
stainless s.	166670-00
Made of stainless steel. For suspension and rotation. <b>2 per pack</b>	



N.B. installation of fixtures providing indirect light with flat glass is not recommended for exterior application.



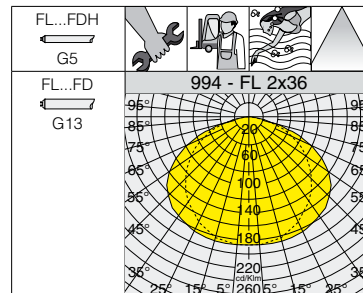
**Housing:** made of pressed steel, drawn in a single piece for high mechanical resistance. Supplied with frame.

**Diffuser:** impact-resistant tempered glass.

**Reflector:** made of galvanized steel, pre-painted white and anti-yellowing treated.

**Coating:** polyester powder (art. 994) for better resistance to corrosion and saline environment.

**On request:** version prepared for installation of access. 996 (use sub-code -0074 to order this accessory and purchase bracket access. 996).



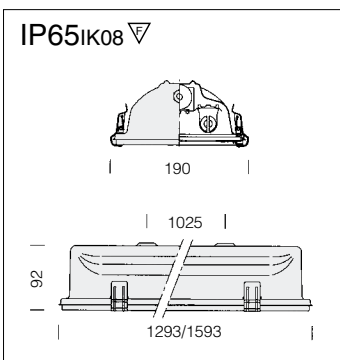
994 Forma T5 - steel + glass							
		CELL		CELL-E		CELL-D	
wattage	colour	weight	code	weight	code	weight	code
FL 1x54	s. silver	6.70	162480-00	7.20	162480-09	6.70	162480-12
FL 1x49	s. silver	8.90	162481-00	8.40	162481-09	8.90	162481-12
FL 2x54	s. silver	7.00	162482-00	7.50	162482-09	7.00	162482-12
FL 2x49	s. silver	10.40	162483-00	11.00	162483-09	10.40	162483-12

994 Forma T8 - steel + glass							
		CEL		CEL-E		CEL-D	
wattage	colour	weight	code	weight	code	weight	code
FL 1x36	s. silver	6.70	162437-08	7.20	162437-09	6.70	162437-12
FL 1x58	s. silver	8.90	162438-08	8.40	162438-09	8.90	162438-12
FL 2x36	s. silver	7.00	162439-08	7.50	162439-09	7.00	162439-12
FL 2x58	s. silver	10.40	162440-08	11.00	162440-09	10.40	162440-12



FLUORESCENT  
WATER-PROOF

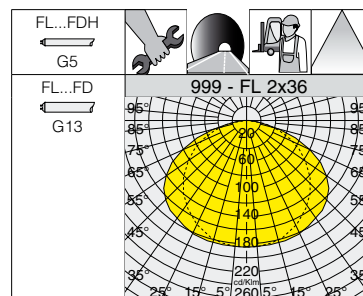


**Housing:** made of AISI 304 18/8 stainless steel for high mechanical resistance. Supplied with frame.

**Diffuser:** impact-resistant tempered glass.

**Reflector:** made of galvanized steel, pre-painted white and anti-yellowing treated.

**On request:** version prepared for installation of access. 996 (use sub-code -0074 to order this accessory and purchase bracket access. 996).



999 Forma T5 - stainless steel + glass							
		CELL		CELL-E		CELL-D	
wattage	colour	weight	code	weight	code	weight	code
FL 1x54	inox	6.70	162490-00	7.20	162490-09	6.70	162490-12
FL 1x49	inox	8.90	162491-00	8.40	162491-09	8.90	162491-12
FL 2x54	inox	7.00	162492-00	7.50	162492-09	7.00	162492-12
FL 2x49	inox	10.40	162493-00	11.00	162493-09	10.40	162493-12

999 Forma T8 - stainless steel + glass							
		CEL		CEL-E		CEL-D	
puissance	couleur	weight	code	weight	code	weight	code
FL 1x36	inox	6.70	162461-08	7.20	162461-09	6.70	162461-12
FL 1x58	inox	8.90	162462-08	8.40	162462-09	8.90	162462-12
FL 2x36	inox	7.00	162463-08	7.50	162463-09	7.00	162463-12
FL 2x58	inox	10.40	162464-08	11.00	162464-09	10.40	162464-12

