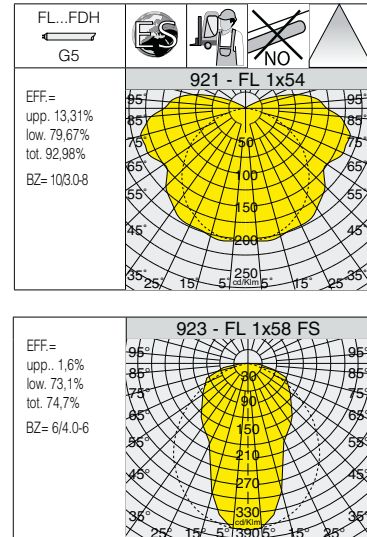


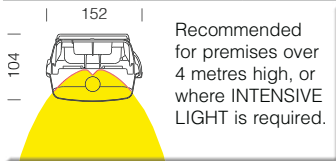
**On request:** supplied with knife switch installed and **28/35W** version.



FLUORESCENT WATER-PROOF

**921 Hydro T5**

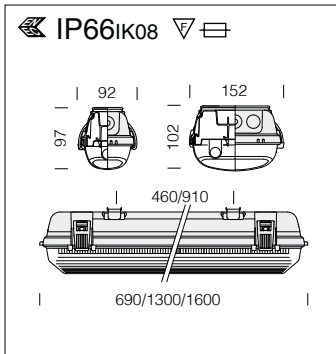
		CEL-F		CEL-F-E		CEL-F-D	
wattage	colour	weight	code	weight	code	weight	code
FL 1x14	grey	1.60	164528-00				
FL 1x54	grey	1.80	164536-00	2.30	164536-09	2.30	164536-12
FL 1x49	grey	2.00	164537-00	2.50	164537-09	2.50	164537-12
FL 2x14	grey	1.60	164529-00				
FL 2x54	grey	2.10	164538-00	2.60	164538-09	2.60	164538-12
FL 2x49	grey	2.50	164539-00	3.00	164539-09	3.00	164539-12



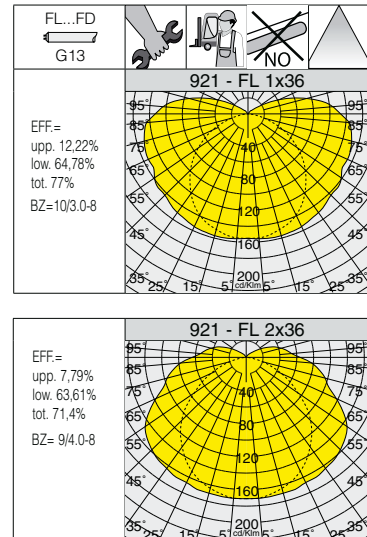
**923 Hydro - narrow beam**

		CELL-F		CEL-F	
wattage	colour	weight	code	weight	code
FL 1x58				3.00	164575-08
FL 1x80	grey	3.00	164576-00		

FL80 - 4000K - 6550lm - Ra1b

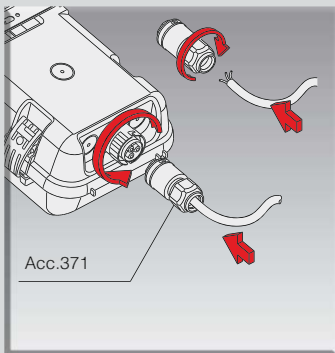


**On request:** supplied with knife switch installed, excluded the 1x18 and 2x18 version.

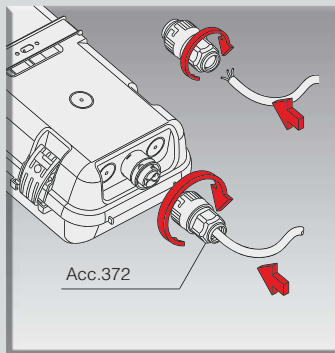


**921 Hydro T8 - électronique**

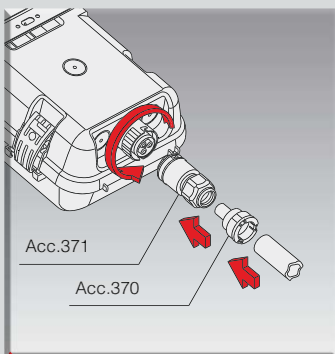
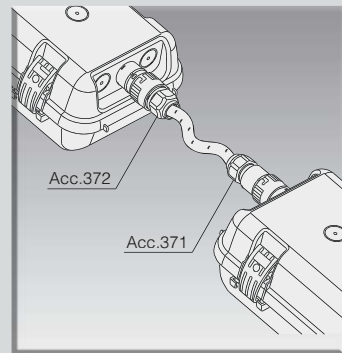
		CEL-F		CEL-F-E		CEL-F-D		CELFD-DIG	
wattage	colour	weight	code	weight	code	weight	code	weight	code
FL 1x18	grey	1.40	164530-00	1.40	164530-09				
FL 1x36	grey	1.60	164531-00	2.10	164531-09	1.60	164531-12	1.60	164531-0041
FL 1x58	grey	2.00	164532-00	2.50	164532-09	2.00	164532-12	2.00	164532-0041
FL 2x18	grey	1.80	164533-00	1.80	164533-09				
FL 2x36	grey	2.00	164534-00	2.50	164534-09	2.00	164534-12	2.00	164534-0041
FL 2x58	grey	2.50	164535-00	3.00	164535-09	2.50	164535-12	2.50	164535-0041



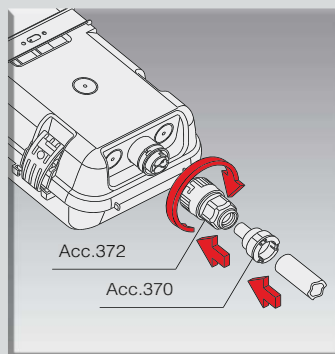
**Installation with cable**  
Continuous electric line connection using accessory 371 plug.



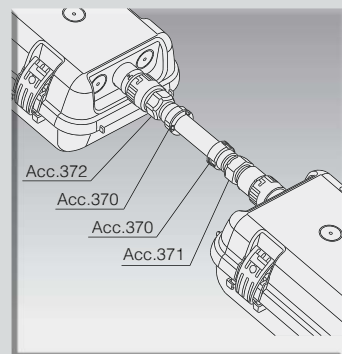
**Installation with socket**  
Continuous electric line connection using accessory 372 socket.



**Installation with tube**  
Continuous electric line connection with tube using accessory 370 + 371 plug



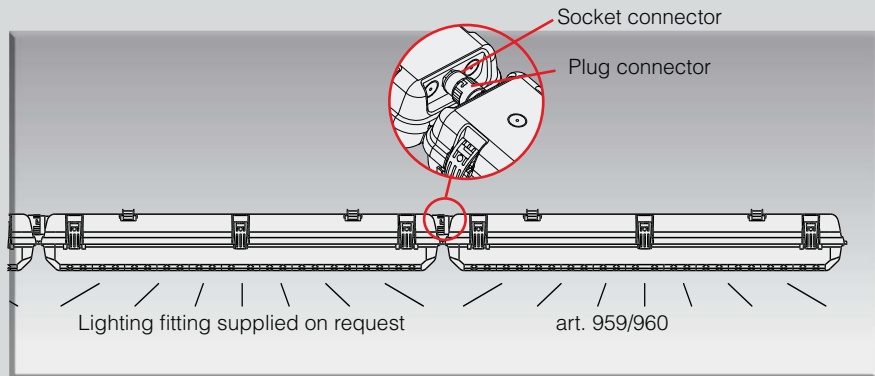
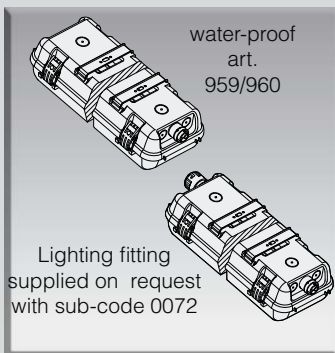
**Installation with tube**  
Continuous electric line connection with tube using accessory 370 + 372 socket



A through-line wiring arrangement and socket/plug type connectors from the first of the last lighting fitting is required for this type of installation. (Lighting fitting supplied on request sub-code 0072 with surcharge).

The following arrangements can be obtained using accessories 370-371-372 with the lighting fittings and with sub-code 0072. Installation with cable, installation with tube, installation with socket.

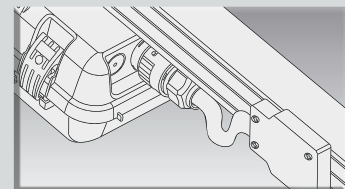
**Warning:** the last light fitting must be of the standard type art. 959/960 the suggestion is to install maximum 20 pcs of light fittings as continuous line, depending on the wattage of all the items.



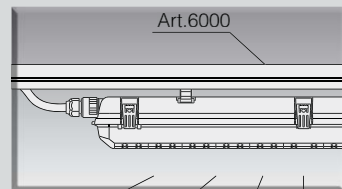
Example of continuous line installation with plug connector.



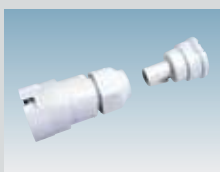
Example of continuous line installation with electrical wire.



Can be installed with standard lighting fitting on electrified tracks.



Can be installed with lighting fitting art. 958/959/960 on art. 6000 + acc. 6036.



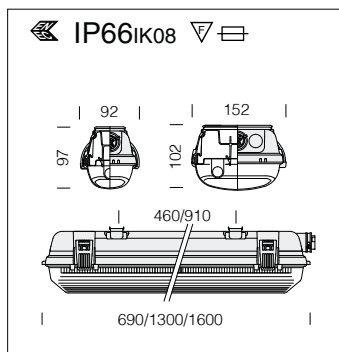
acc. 370 connector for ø20 tube	
grey	998040-00
For use with acc. 371-372 tube connector installation. <b>10 per pack.</b>	



acc. 371 quick connector plug	
grey	998041-00
Always to be used for continuous line with wire or tube. Cable gland with inlet cable 16A min. ø 9 max ø12 mm. <b>10 per pack.</b>	

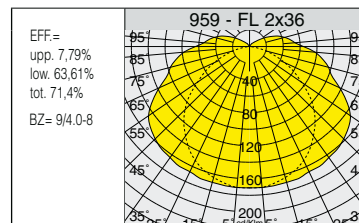
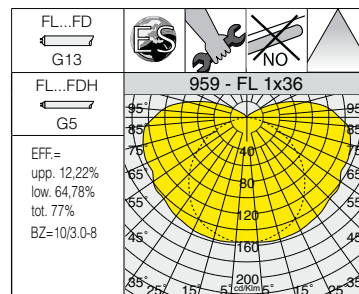


acc. 372 quick connector socket	
grey	998042-00
Always to be used for continuous line with wire or tube, adding accessory 370. Cable gland with inlet cable 16A min. ø 9 max ø12 mm. <b>10 per pack.</b>	



"Assembled and ready to use" lighting fitting; complete with plug connector and lamps. **To buy separately socket connector (acc. 372).**

Water-proof lighting fitting on request with stainless steel latches to be ordered using **sub-code 0077** at an extra price.



FLUORESCENT  
WATER-PROOF

### 959 Hydro T8 - electronic with connector

		CELL-F		Lamps (Ta=25°C)
wattage	colour	weight	code	Kelvin - ølm - Ra
FL 1x36	grey	2.20	164631-00	4000K - 3350lm - Ra 1b
FL 1x58	grey	2.90	164632-00	4000K - 5200lm - Ra 1b
FL 2x36	grey	2.50	164633-00	4000K - 3350lm - Ra 1b
FL 2x58	grey	3.10	164634-00	4000K - 5200lm - Ra 1b

### 960 Hydro T5 - electronic with connector

		CELL-F		Lamps (Ta=25°C)
wattage	colour	weight	code	Kelvin - ølm - Ra
FL 1x28	grey	2.00	164641-00	4000K - 2650lm - Ra 1b
FL 1x49	grey	2.10	164642-00	4000K - 4350lm - Ra 1b
FL 2x28	grey	3.20	164646-00	4000K - 2650lm - Ra 1b
FL 2x49	grey	2.60	164647-00	4000K - 4350lm - Ra 1b

WATTAGE	CONSUMPTION
traditional T5	lamps supplied
49W	45W

The fixtures with **T5 lamps** are supplied as standard with **energy saving lamps**.

## QUICK INSTALLATION = ECONOMIC SAVING



A traditional water-proof lighting fitting normally requires 2 persons to be installed .... only one person is required with the new **HYDRO** series. Installing the **HYDRO** water-proof ceiling fitting is quicker, easier and more economic! In particular, recommended in the case of medium-large size systems.

Rapid connection solution is possible for:

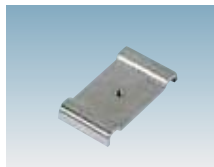
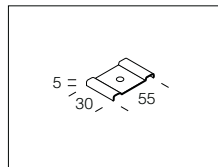
- continuous line installation (sub-code: 0072)
- multi-pole cable installation (standard ceiling fitting) Ø 20 rigid PVC duct (ceiling fitting + acc 370)

art. HYDRO 921/923	Time
Open the packing	45 sec
Mount the hooks and fit the lamp holder	1,5 min
Mount the cable gland and connect the ballast	2,5 min
Position the wiring plate, mount the lamps	45 sec
Introduce the shell and close the unit	30 sec
	<b>Total</b>
	6 min

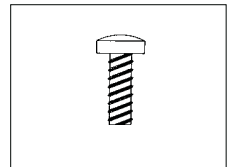
art. HYDRO 959/960	Time
Open the box and connect the quick connector	1 min
Mount the hooks and fit the lamp holder	0 min
Mount the cable gland and connect the ballast	0 min
Position the wiring plate, mount the lamps	0 min
Introduce the shell and close the unit	0 min
	<b>Total</b>
	1 min



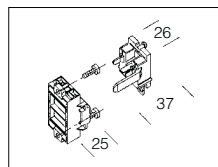
**acc. 6036 universal conn.**  
galvanised | 132987-00  
Made of galvanized steel. To install non-corrosive fixtures on track art. 6000.



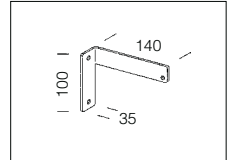
**acc. 936 screws for latches**  
black | 998071-00  
Stainless steel self-tapping screws. For vandal resistant hook fastening. Pack contains 100 bags, 4 screws each.



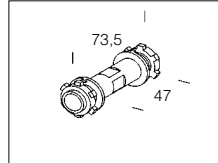
**acc. 46 knife switch**  
985034-00  
For automatic connection to power supply and disconnection during maintenance. (excluded versions with lamps FL 1x18 and FL 2x18)



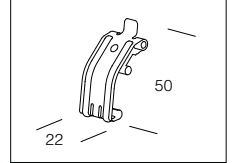
**acc. 978 wall bracket**  
galvanized | 998078-00  
Made of galvanized steel. For installation of Hydro fixtures on walls.



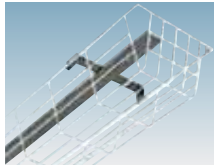
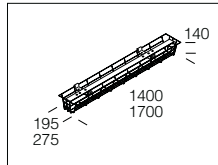
**acc. 938 junction sleeve**  
998073-00  
Polycarbonate, for jointing and transit of power supply cables (internal Ø 13 mm) between lighting fixtures (max distance 30 m). **2 per pack.**



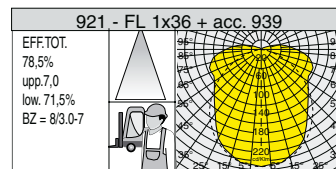
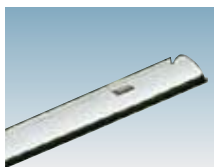
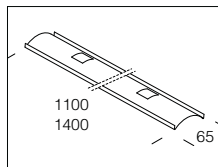
**acc. 461 stainless steel latches**  
**18** | 997315-00  
**28/36** | 997316-00  
**58/80** | 997317-00  
**18**= set with 6 hooks  
**36/28** = set with 8 hooks  
**58/80** = set with 10 hooks



**acc. 975 protection guard**  
**1x36** | 165564-00  
**1x58** | 165565-00  
**2x36** | 165566-00  
**2x58** | 165567-00  
White plastic-coated steel rod. To be installed directly on the ceiling.

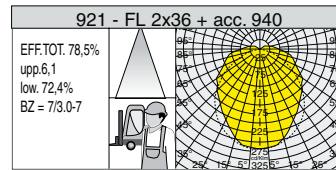
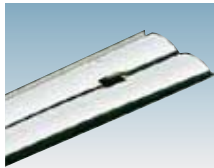
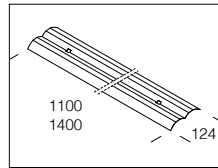


**acc. 939 narrow beam reflector**  
**1x36/28** | 998050-00  
**1x58/49** | 998051-00  
Polished aluminium 99.85 narrow-beam reflector. To be installed with the white reflector already included in the fixture.



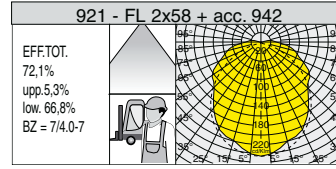
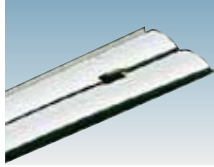
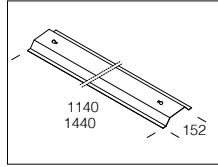
Recommended for premises over 4 metres high, or where intensive light is required. Total increase in efficiency + 4.8%. Efficiency on the lower hemisphere between 0°-45° + 36%.

**acc. 940 narrow beam reflector**  
**2x36/28** | 998052-00  
**2x58/49** | 998053-00  
Polished aluminium 99.85 narrow-beam reflector. To be installed with the white reflector already included in the fixture.



Recommended for premises over 4 metres high, or where intensive light is required. Total increase in efficiency + 4.8%. Efficiency on the lower hemisphere between 0°-45° + 36%.

**acc. 942 wide beam reflector**  
**2x36/28** | 998054-00  
**2x58/49** | 998055-00  
Polished aluminium 99.85 wide-beam reflector. To be installed with the white reflector already included in the fixture.



Recommended for premises approximately 3-6 metres high. Total increase in efficiency +7%. Efficiency on the lower hemisphere between 0°-45° + 25%.