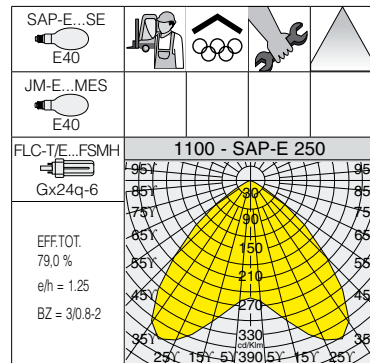


**Housing:** pressed steel.

**Reflector:** pressed prismatic aluminium 99.85, anodised (3µ) and polished for higher luminous efficiency.

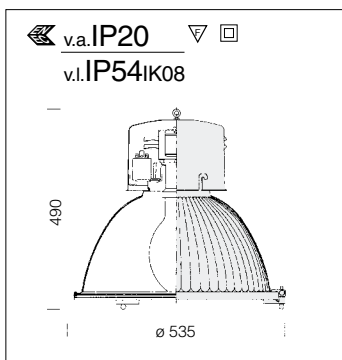


On request: version with silver housing.



1100 Lucente					
		S		CNR	
wattage	colour	weight	code	weight	code
MAX 125	graphite	1.90	321050-00		
MAX 400	graphite	2.00	321051-00		
JM/SAP-E 250	graphite			5.50	321055-00
SAP-E 400	graphite			7.00	321056-00
JM-E 400	graphite			7.00	321057-00

Option to attach protective guard acc 1122. **On request: reflector with switching device.**

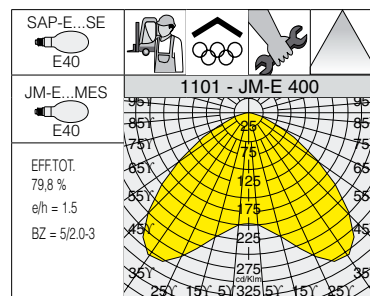


**Reflector:** pressed prismatic aluminium 99.85, anodised (3µ) and polished for higher luminous efficiency.

**Diffuser:** 5 mm thick, thermal shock and impact resistant protective tempered glass, and vandal resistant.

**Coating:** graphite polyester powder coating applied after a chromate treatment, resistant to corrosive and saline environments.

**On request: reflector with switching device.**



1101 Lucente - with glass					
		CNRL		Lamps (Ta=25°C)	
wattage	colour	weight	code	Kelvin - ølm - Ra	
JM-E 250	graphite	7.50	321163-00	4500K - 18000lm - Ra 2b	
SAP-E 250	graphite	7.50	321164-00	2000K - 31200lm - Ra 4	
JM-E 400	graphite	8.90	321165-00	4500K - 27000lm - Ra 2b	
SAP-E 400	graphite	8.90	321166-00	2000K - 54000lm - Ra 4	

acc. 1122 protection guard	
0.60	321012-00
Black plastic-coated steel rod protection guard. Screw mounting.	
<b>For Lucente.</b>	

